

CDR 3900 10B-1 Heavy duty Sprocket Rollers 650kgf



CDR 3900 INDUSTRIAL

5/8" pitch (10B-1) Chain Driven Rollers CDR3900

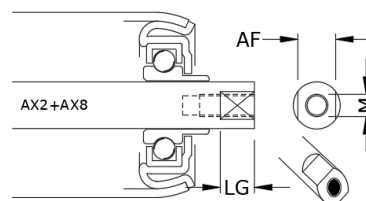
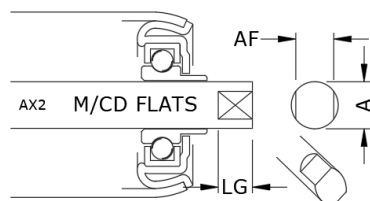
FEATURES

CDR3900 10B rollers are for 010b chain driven conveyor and are fitted with simple or double steel sprocket. These rollers are for chain driven conveyor such as: Heavy duty pallet distribution Indoor /out door Cold Store* please clearly state on enquiry/order if required for cold storage with ambient working temperature. Rollers are fitted with welded steel sprockets for fixed drive and have minimum tube thickness 3mm. Roller finish is generally BZP steel. Other options include: Black Oxide Self-Colour steel Stainless (excludes sprocket) Rubber covered Optional Extras Pallet guide discs – see sheet BS guide disc

Phil Bevan

CDR 3900 Series have female thread (AX8). To alter thread diameter: AX8 Followed by thread size. Ordering code Roller Ref. suffixed by your OA or BB (BB= installation length)

Other axle executions, such as machined open flats (AX2) are available on special request. See below



M/CD FLATS & FEMALE THREAD

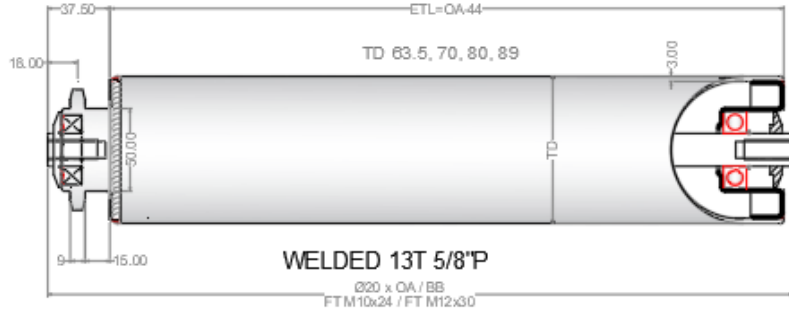
CDR 3900 10B-1 Series Heavy duty Sprocket Rollers



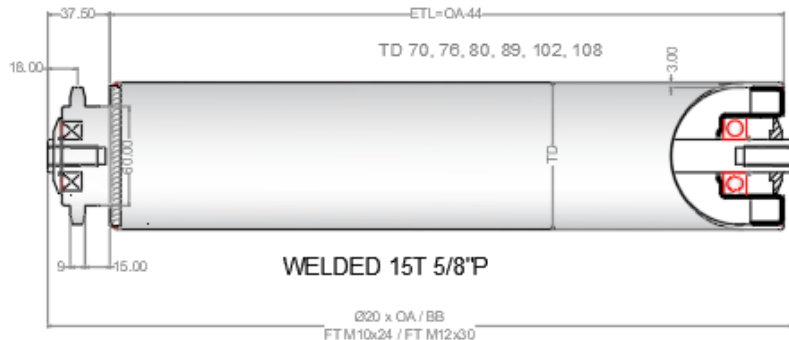
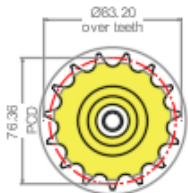
BZP Steel tube & sprocket, heavy-duty chain driven rollers

Welded Steel Sprocket | Steel housed Precision Bearings | Side Loading with rounded/swaged End Construction: Roller shell precision machined ends to accept deep groove bearings & through axle
Optional Extra: Rubber/ Carboxy / PU tube covering

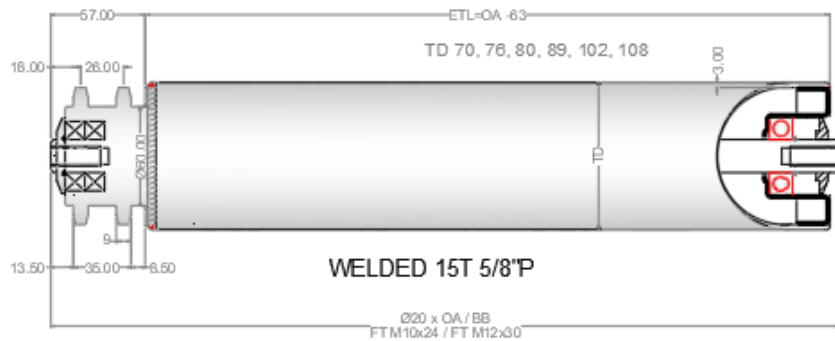
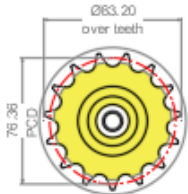
13T 5/8" P (10B CHAIN)
(Z13 5/8P)



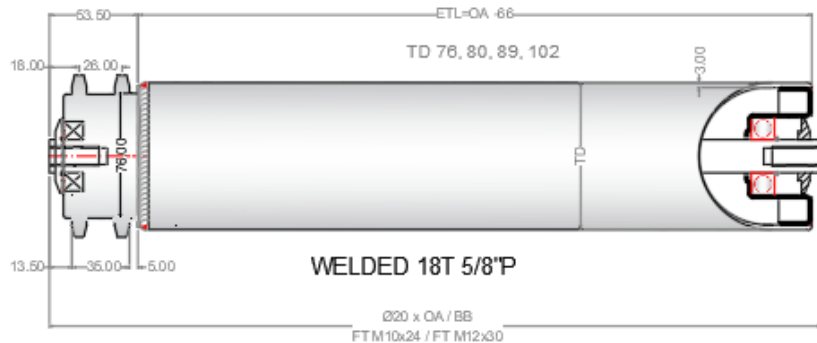
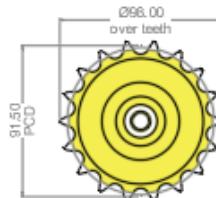
15T 5/8" P (10B CHAIN)
(Z15 5/8P)

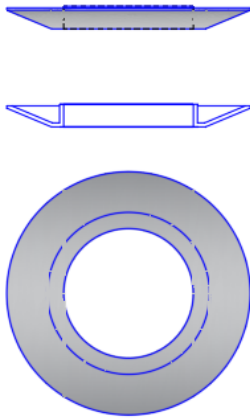


15T 5/8" P (10B CHAIN)
(Z15 5/8P)

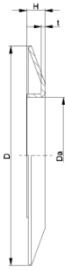


18T 5/8" P (10B CHAIN)
(Z18 5/8P)



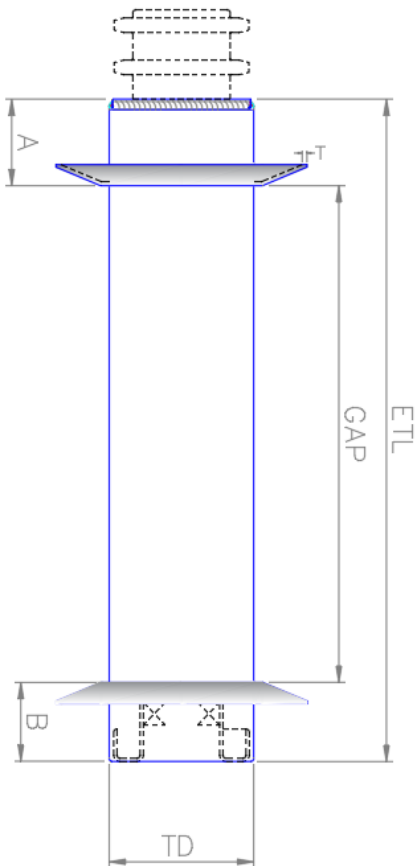


BS-TD-150 GUIDE DISC



BS				
Type	Da ±0.1	D-2	H ±0.5	t
BS-50-130	49.9	130	10	1.5
BS-40-130	59.9	130	10	1.5
BS-80-150	79.9	150	14	2.5
BS-99-150	89.9	150	14	2.5
BS-108-150	107.9	150	14	2.5

Other dimensions on request!
 • Wheel Flange: Steel



PALLET GUIDE DISC

Press Steel pallet guide disc /s can be welded to tube TD.

In extreme conditions AED can also manufacture from solid a more heavy duty disc to prevent the risk of collapse during top loading.

Please use this sheet with your enquiry so that we can confirm positions are acceptable.

COO (Country of Origin): **UK**

Manufacturer: **AED Rollers Ltd**

Manufactured in accordance to Quality Accreditation **ISO 9001:2005**



Product Details

Conveyor Roller with Sprocket; Customs Code 84832000, Heavy duty

CDR series rollers feature welded tube with machined sprocket fitted with precision deep groove bearings & captivated axle.

These are heavy-duty conveyor rollers designed for high loads & extended life.

Features:

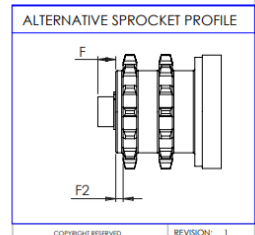
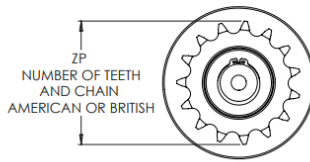
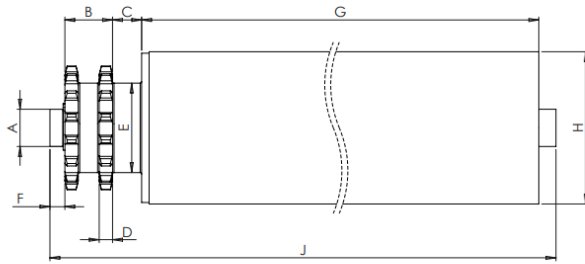
- Welded fixed drive sprocket
- High conveyor Speeds <1.2m/s
- Internal deep groove steel bearings
- High Strength – see product files for further information
- Ambient temperature range -25C +80C
- Anti-Static Design
- Default Tube condition – Bright zinc plate & clear passivate Zn6 (BZP)

Specifications

Attribute	Value
Tube Material	CHS S235 JRH/ ERW E220 +CR2 S2
Roller Diameter	As order
Sprocket	Fixed welded 5/8p”(10B-1)
Inside Frame Width BB	As order
Surface treatment	As order
Axle Fixing Type	Female Thread Metric Coarse
Axle Material	Steel
Female thread size	As order
Maximum Conveying Speed	1.2m/s <1000mm BB
Weight Class	Heavy Duty

DOUBLE SPROCKET QUOTATION FORM

DIMENSION	MEASUREMENT	DESC.
A		AXLE SIZE
B		OVER TOOTH
C		SPROCKET TO ROLLER
D		TOOTH WIDTH
E		HUB DIAMETER
F		AXLE EXTENSION
G		EFFECTIVE TUBE LENGTH
H		ROLLER DIAMETER
J		OVER AXLE/INSTALLATION LENGTH
ZP		NUMBER OF TEETH
FT		FEMALE THREAD SIZE EACH END
F2		BOSS EXTN IF APPLICABLE



UNIT 3, ALBION WORKS, MOOR STREET, BRIERLEY HILL, WEST MIDS. ENGLAND, DY5 3SZ

AED Rollers
Best rollers Best service

UNLESS OTHERWISE SPECIFIED, DIMENSIONS ARE IN MILLIMETERS

DESIGN WHO BREAKS SHAFT (CODE) FINISH: DO NOT SCALE DRAWING

DRG NO. DOUBLE SPROCKET MEASUREMENTS A3

SCALE: 1:5 SHEET 1 OF 1

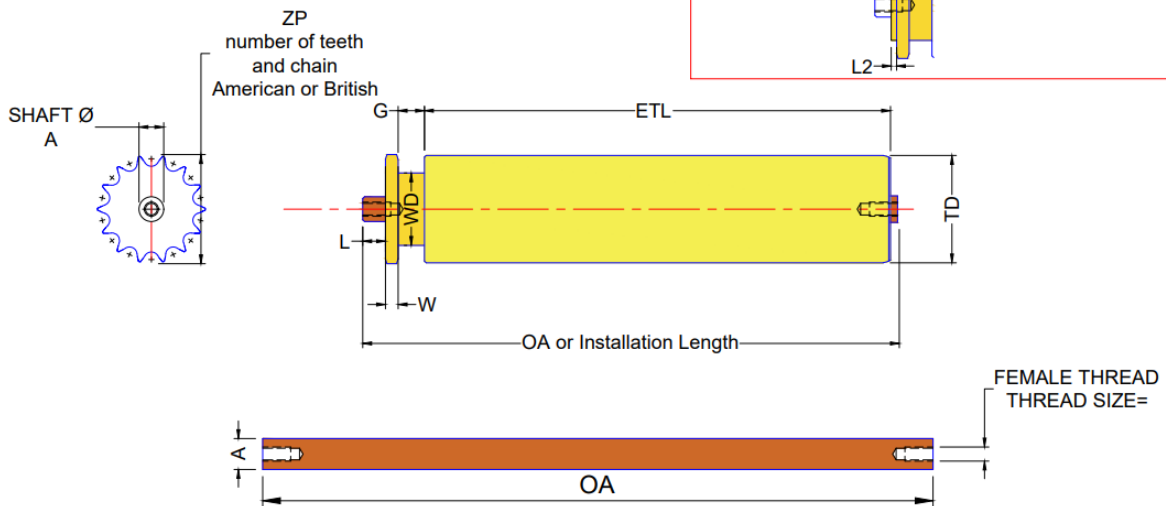
DRAWN: K.BAYONS REVISION: 1 DATE: 21/08/2023 WEIGHT:

AED Rollers Ltd

UNIT 3, ALBION WORKS, MOOR STREET, BRIERLEY HILL, WEST MIDS. ENGLAND, DY5 3SZ
T. +44 (0) 1384 77427. F +44 (0) 1384 261843. WWW.AEDROLLERS.COM WWW.AEDROLLERS.COM

DRG No. CDR ROLLER-SIM-AX8	COPYRIGHT RESERVED	ISSUE	REVISION	DATE	APPR'D
----------------------------	--------------------	-------	----------	------	--------

ALTERNATIVE SPROCKET PROFILE



FINISH	
MATERIAL	
HEAT TREATMENT	AS PER BRGS SUPPLIED
LUBRICATION	AS PER BRG SUPPLIED

DRAWN: P. BEVAN	DATE: 14.1.03	TITLE: BESPOKE CHAIN DRIVEN ROLLER	DRG No. CDR ROLLER-SIM-AX8
-----------------	---------------	------------------------------------	----------------------------