

PR 1600 Series Steel Gravity / Powered Rollers Medium to Heavy duty

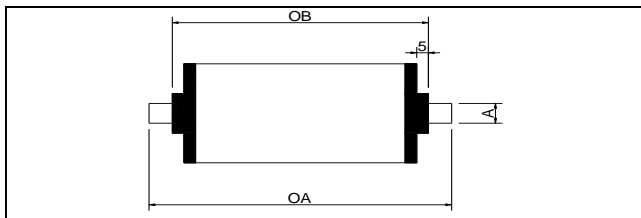


PR series are general purpose steel rollers with precision bearing (pop metric) for manual/powered applications.

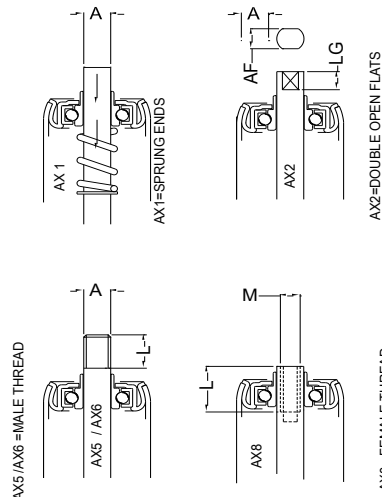
Found in >	MATERIAL	TUBE EXTRAS
Belt Conveyors	Zinc Plated (BZP) tube Steel bearings & Steel axles	Rubber Sleeve BS4 /BS60
Farming Equipment		Bonded Rubber
Airports		Polyurethane
Cutting Equipment		

Roller Type	Roller Diameter & wall thickness	○ Axle	⬡ Axle	Bearing Type	Load Capacity†
PR-25*	Ø25.4x2	Ø8	-	608 EB*	50kgf udl
PR-38HD	Ø38 x3	Ø11 Ø15	11H	6202	160kgF udl
PR-50	Ø50 x1.5	Ø10 Ø11 Ø12 Ø15 Ø17	8H, 11H	MTR .40 /MTR .44	160kgF udl
PR-50MD	Ø50.8 x2	Ø10 Ø11 Ø12, Ø15 Ø17	8H, 11H	MTR .40 /MTR .44	160kgF udl
PR-50HD	Ø50.8 x3	Ø10 Ø11 Ø12 Ø15 Ø17	11H	MTR .40 /MTR .44	160kgF udl
PR-60	Ø60 x2	Ø10 Ø11 Ø12 Ø15	11H	MTR .40 /MTR .44	160kgF udl
PR-60HD	Ø60 x3	Ø17	-	MTR .45	300kgF udl
PR-63	Ø63.5 x3	Ø16 Ø20	-	MTS.46	350kgF udl
PR-703	Ø70 x3	Ø17	-	MTR .45	350kgF udl
PR-803	Ø80 x3	Ø20	-	MTS .46	350kgF udl

IMPORTANT: *PR-25 has 1mm brg boss extn. Not 5mm as shown. †Load Capacity calculated on standard lengths & axle fixing. Please ask to confirm advisable load on quotation/order. Roller Bearings, steel housed swaged (excludes PR-25) for side product transfer. Operating temperature 0 to +80 C



Roller Type (ie PR-63)	
Axle length OA	
Over boss OB	
Axle size (ie 11H)	
Axle Type & Dimension (ie AX8 M8x16L)	
Quantity Required	
Notes:	



Company Name and address:-

Signed.....Print.....

Date: Purchase order No.....

Collect or Send by Carrier – circle as appropriate

Comments:

Please sign & return Order