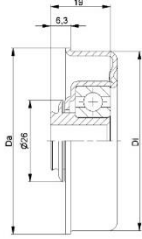


PR 1600 AX1 Series (Spring loaded axles) for Under Belt Rollers/ Gravity - BZP STEEL



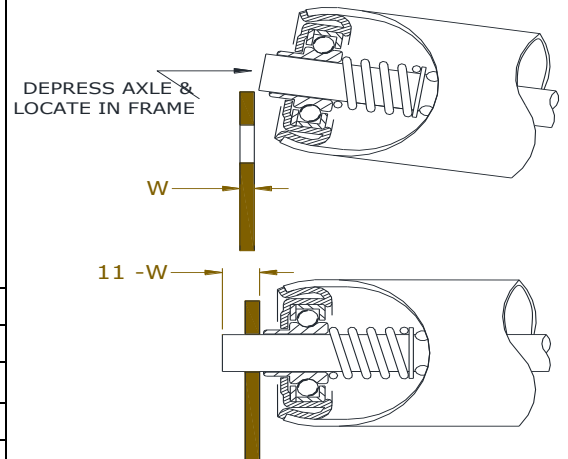
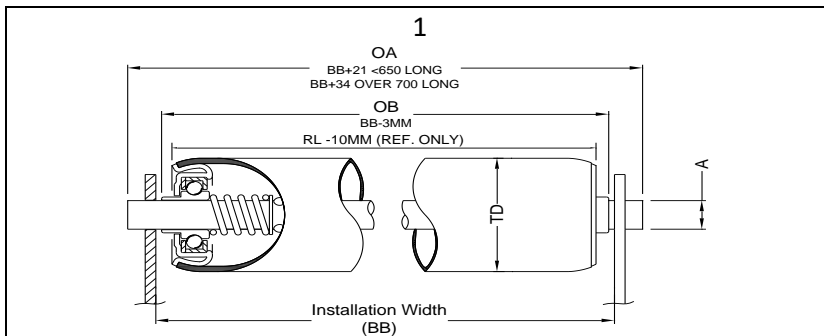
PR series are general purpose steel rollers with precision bearing (pop metric) for manual/under belt applications

Found in >	MATERIAL	TUBE EXTRAS
Belt Conveyors	Zinc Plated (BZP) tube Steel bearings & Steel axles	Rubber Sleeve
Farming Equipment		Bonded Rubber
Airports		Polyurethane
Cutting Equipment		

Roller Type	Roller Diameter & wall thickness	Round Axle	Hexagonal Axle	Bearing Type +Housing	Load Capacity†
PR-25	Ø25 x2	Ø8	-	608Z STEEL	50kgF udl
PR-38HD	Ø38 x3	Ø11	11H	6202 STEEL	160kgF udl
PR-50	Ø50 x1.5	Ø8 Ø10 Ø11 Ø12	8H 11H	MTR .40 STEEL HOUSE	160kgF udl
PR-50MD	Ø50.8 x2	Ø8 Ø10 Ø11 Ø12	11H	MTR .40 STEEL HOUSE	160kgF udl
PR-50HD	Ø50.8 x3	Ø10 Ø12	11H	MTR .40 STEEL HOUSE	160kgF udl
PR-60	Ø60 x2	Ø10 Ø11 Ø12	11H	MTR .40 STEEL HOUSE	160kgF udl
PR-63	Ø63.5 x3	Ø16	-	MTS .44 STEEL HOUSE	350kgF udl

Uniformly Distributed Load (UDL) x >75% Installation Length (BB) IMPORTANT: †Load Capacity calculated on standard lengths. Please ask to confirm advisable load on

IMPORTANT: †Load Capacity calculated on standard lengths. Please ask to confirm advisable load on



Roller Type (ie PR-50HD)	
Installation Width (BB)	BB
Axle A	Ø H
Quantity Required	
OB (over bearing boss*)	*
OA (over all axle length*) or L	*
*leave blank if rollers are to suit installation width (BB)	
Notes:	

Company Name and address:-

Signed.....Print.....

Date: Purchase order No.....

Collect or Send by Carrier – circle as appropriate

Comments:

Please sign & return Order