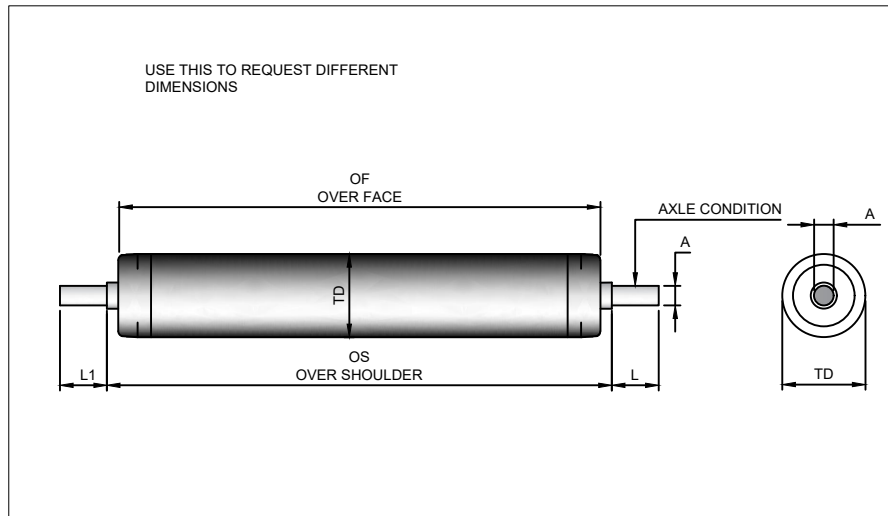
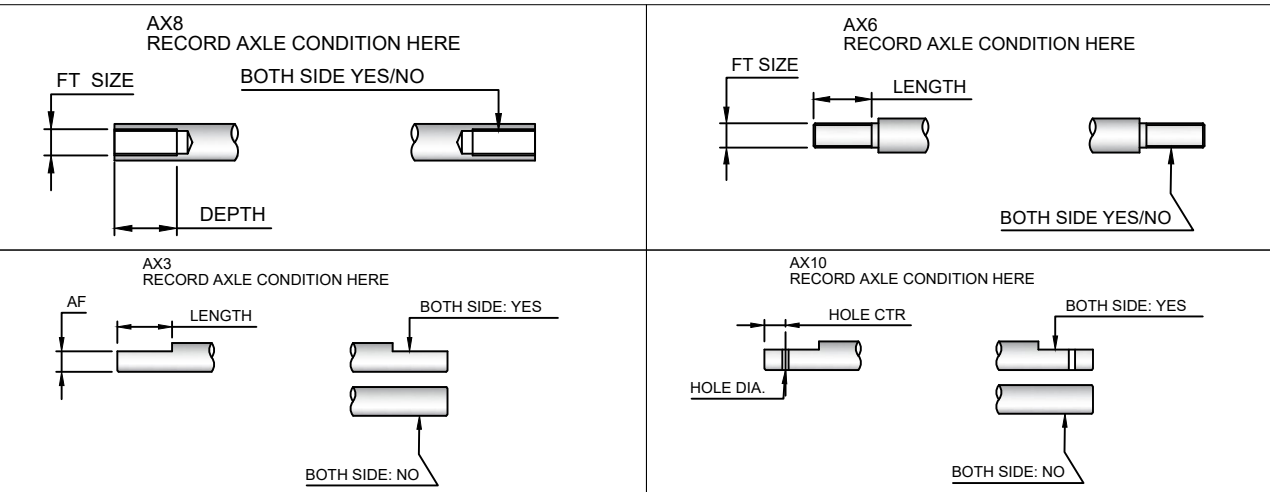


MOWER BRAND JACOBSEN:

MOWER YEAR: UNKNOWN

MODEL NO :GP400



DIFFERENT AXLE CONDITIONS ARE ALLOWED ON SAME ROLLER.
 FOR EXAMPLE; AX8 R/H SIDE & AX3 L/H SIDE
 PLEASE CLEARLY INDICATE ON THIS SHEET.
 THESE ARE MADE TO MEASURE AND CANNOT BE RETURNED.....