

CDR 3500 08B-1 Medium /Heavy duty Sprocket Rollers



CDR 3500 INDUSTRIAL FIXED DRIVE ROLLERS

½" pitch (08B-1) Chain Driven Rollers CDR3500

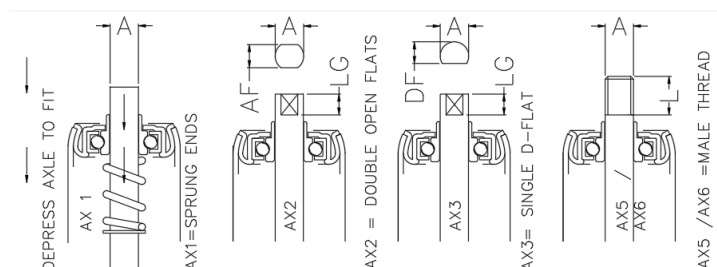
FEATURES

Very robust design with welded steel simple or double 14Tooth ½"p BS sprocket in a variety of tube diameters tube. Side loading possible (not all rollers) with heavy duty bearings fitted in swaged over tube. Rollers are UK midlands factory to suit application. ANSI sprockets available on special request

Phil Bevan

CDR 3500 Series have female thread (AX8). To alter thread diameter: AX8 Followed by thread size. Ordering code Roller Ref. suffixed by your OA or BB (BB= installation length)

Other axle executions, such as Spring loaded (AX1) or machined open flats (AX2) are available on special request. See below



CDR 3500 08B-1 Series Medium /Heavy duty Sprocket

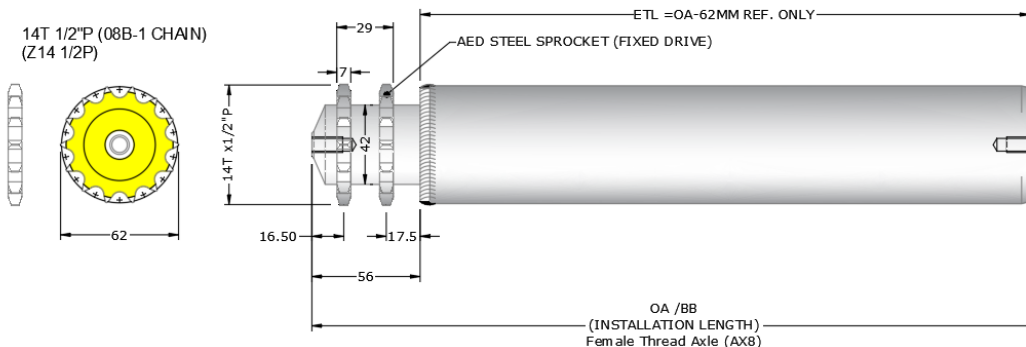
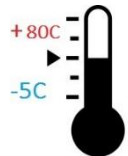
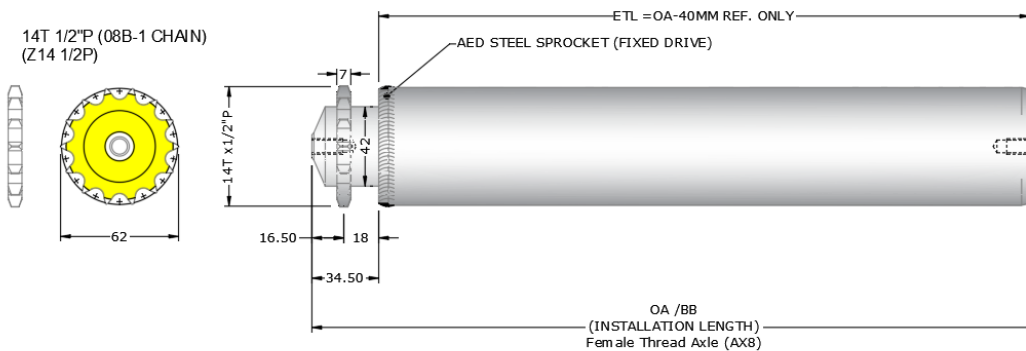


BZP Steel tube & sprocket, heavy-duty chain driven rollers

Welded Steel Sprocket | Steel housed Precision Bearings | Side Loading with rounded/swaged End
 Construction: Roller shell precision machined ends to accept deep groove bearings & through axle
Optional Extra: Rubber/ Carboxy / PU tube covering

Roller Reference To order, suffix reference with installation length	tube diameter, thickness & Configuration	Axle Diameter	Bearing Type (Deep Groove Precision)	Default Female Thread size Alternative M10 <M12
14T-SIM-CDR50-AX88	Ø50 x1.5 Simplex 14T	Ø12/11H	6202 / MTR50x1.5.40	M8x16
14T-SIM-CDR50MD-AX88	Ø50.8 x2 Simplex 14T	Ø12/11H		M8x16
14T-SIM-CDR50HD-AX810	Ø50.8 x3 Simplex 14T	Ø15		M10x24
14T-CDR50-DSIM-AX88	Ø50 x1.5 Double Simplex 14T	Ø12/11H	6202 / MTR50x1.5.40	M8x16
14T-CDR50MD-DSIM-AX88	Ø50.8 x2 Double Simplex 14T	Ø12/11H		M8x16
14T-CDR50HD-AX810	Ø50.8 x3 Double Simplex 14T	Ø15		M10x24
14T-CDR60-DSIM-AX88	Ø60 x2 Double Simplex 14T	Ø12/Ø15/ 11H	6202 / MTR60x2.40	M8x16
14T-SIM-CDR63-AX810	Ø63.5 x3 Simplex 14T	Ø20	6904 / MTS63x3/6004	M10x24
14T-SIM-CDR76-AX810	Ø76 x3 Simplex 14T	Ø20	6904 / FL-70/6204	M10x24
14T-CDR60-DSIM-AX88	Ø60 x2 Double Simplex 14T	Ø12/Ø15/ 11H	6202 / MTR60x2.40	M8x16
14T-CDR63-DSIM-AX810	Ø63.5 x3 Double Simplex 14T	Ø20	6904 / MTS63x3/6004	M10x24
14T-CDR703-DSIM-AX810	Ø70 x3 Double Simple 14T	Ø17	6003/ MTR70x3.45	M10x24
14T-CDR803-DSIM-AX810	Ø80 x3 Double Simple 14T	Ø20	6904 / MTS80x3.44	M10x24
14T-CDR89-DSIM-AX810	Ø89 x3 Double Simple 14T	Ø20	6904 / ØLH89/6204	M10x24
14T-CDR4-DSIM-AX810	Ø102 x3 Double Simple 14T	Ø20	6904 / ØEL/6204	M10x24

◇ WELDED FACE. NOT SWAGED FOR SIDE LOADING



Minimum length 250 OA. Maximum length 2100 OA

CDR 3500 08B-1 SERIES. MADE 2 MEASURE - BZP STEEL

COO (Country of Origin): **UK**

Manufacturer: **AED Rollers Ltd**

Manufactured in accordance to Quality Accreditation **ISO 9001:2005**



Product Details

Conveyor Roller with Sprocket; Customs Code 84832000, Medium to Heavy duty

CDR series rollers feature welded tube with machined sprocket fitted with precision deep groove bearings & captivated axle.

These medium to heavy-duty conveyor rollers.

Features:

- Welded fixed drive sprocket
- High conveyor Speeds <1.2m/s
- Internal deep groove steel bearings
- High Strength – see product files for further information
- Ambient temperature range -5C +80C
- Anti-Static Design
- Default Tube condition – Bright zinc plate & clear passivate Zn6 (BZP)

Specifications

Attribute	Value
Tube Material	CHS S235 JRH/ ERW E220 +CR2 S2
Roller Diameter	As order
Sprocket	Fixed welded 14T ½”P (08B-1)
Inside Frame Width BB	As order
Surface treatment	As order
Axle Fixing Type	Female Thread Metric Coarse
Axle Material	Steel
Female thread size	As order
Maximum Conveying Speed	1.2m/s <1000mm BB
Weight Class	Medium to Heavy Duty