

# GRP50 S/Loaded+BS Sleeved Round Belt powered handling – BS SLEEVE



BS54 & BS60 general purpose steel rollers with pvc 3mm or 5mm thick rubber like sleeve for manual & gravity applications

Found in >	MATERIAL	Sleeve Options	Great for
Battery Handling	Steel Base Roller + pvc sleeve	-BS54 (55mm FOD)	Protecting goods
Despatch Areas			Non-Marking
Airports	50-60 shore A	-BS60 (60mm FOD)	Stone/granite tops
Packing Lines			Cheaper than rubber

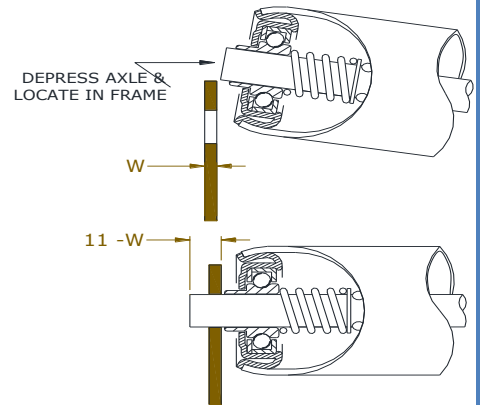
Roller Type	Finished Diameter	Axle A (default)	Other axles A sizes available	Minimum Length Maximum Length	Load Capacity†
GRP5011HAX1 –BS54	Ø55mm	11Hex	Ø8, 12 & 8Hex	>200MM <1200MM	30kgF UDL
GRP5011HAX1–BS60	Ø60mm	11Hex	Ø8, 12 & 8Hex	>200MM <1200MM	30kgF UDL
<b>BELOW (PREFIXED SS) ARE SUPPLIED WITH STAINLESS STEEL BASE ROLLER</b>					
SSGRP5011HAX1 –BS54	Ø55mm	11Hex	Ø8, 12 & 8Hex	>200MM <1200MM	30kgF UDL
SSGRP5011HAX1–BS60	Ø60mm	11Hex	Ø8, 12 & 8Hex	>200MM <1200MM	30kgF UDL

IMPORTANT: †Load Capacity calculated on based roller (not Sleeve capacity) and on roller lengths <850MM. For lengths greater than 850mm please ask on enquiry.

Choose Groover Pattern

- 1
- 2
- 3
- 4
- CU

Roller Type (ie GRP5010AX1-BS54)	
Installation Length BB or OB	BB OB
Axle diameter & Over Axle length	OA
Groove Pattern	Groove positions: GP
Quantity required	



ORDERING CODE EXAMPLE: **GRP50 11H AX1 - BS60 610BB**

**Roller Type | Axle Size | Sleeve Diameter | BB (Installation Length) or OB if you specify Over Bosses**

Company Name and address:-

Signed.....Print.....

Date: Purchase order No.....

Collect or Send by Carrier – circle as appropriate

Comments:

Please sign & return Order