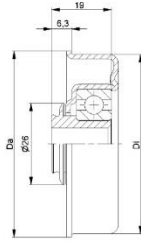


PR AX1 Series (Spring loaded axles) for Under Belt Rollers/ Gravity - **BZP STEEL**

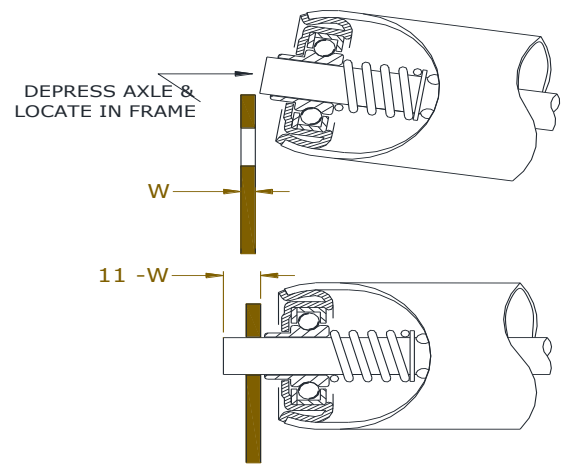
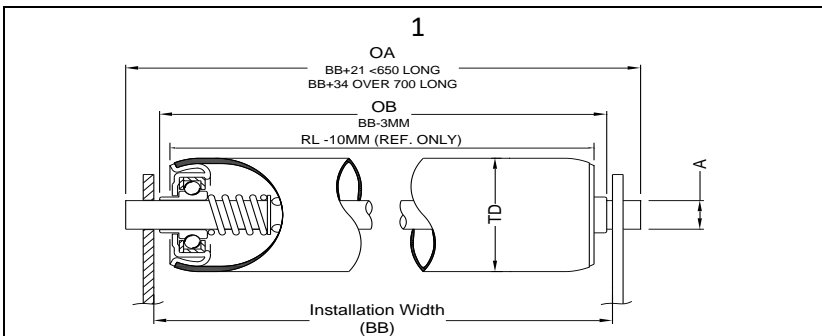


PR series are general purpose steel rollers with precision bearing (pop metric) for manual/under belt applications

Found in >	MATERIAL	TUBE EXTRAS
Belt Conveyors	Zinc Plated (BZP) tube Steel bearings & Steel axles	Rubber Sleeve
Farming Equipment		Bonded Rubber
Airports		Polyurethane
Cutting Equipment		

Roller Type	Roller Diameter & wall thickness	Axle	Axle	Bearing Type +Housing	Load Capacity†
PR-35	Ø35 x1.2	Ø8	8H	6001+ PLASTIC HOUSE	50kgF udl
PR-38HD	Ø38 x3	Ø11	11H	6202+PLASTIC ADAPTOR	160kgF udl
PR-40	Ø40 x1.5	Ø8, Ø10 Ø12	11H	6002 STEEL PLASTIC HOUSE	80kgF udl
PR-50	Ø50 x1.5	Ø8 Ø10 Ø12	11H	6202 STEEL HOUSE	160kgF udl
PR-50MD	Ø50.8 x2	Ø8 Ø10 Ø12	11H	6202 STEEL HOUSE	160kgF udl
PR-50HD	Ø50.8 x3	Ø10 Ø12	11H	6202 STEEL HOUSE	160kgF udl
PR-60	Ø60 x2	Ø10 Ø12	11H	6202 STEEL HOUSE	160kgF udl
PR-603 defunct	Ø60 x3	Ø16 (Ø12PAO)	14H	6204 STEEL HOUSE	335kgF udl
PR-63	Ø63.5 x3	Ø16 & Ø20	-	6004 /6005 STEEL HOUSE	350kgF udl
PR-76	Ø76.2 x3	Ø20	-	6005 STEEL HOUSE	350kgF udl
PR-89KTR	Ø89 x3	Ø20	-	6005 PLASTIC HOUSE	450kgF udl

Uniformly Distributed Load (UDL) x >75% Installation Length (BB) IMPORTANT: †Load Capacity calculated on standard lengths. Please ask to confirm advisable load on



Roller Type (ie PR-50HD)	
Installation Width (BB)	BB
Axle A	Ø H
Quantity Required	
OB (over bearing boss*)	*
OA (over all axle length*) or L	*
*leave blank if rollers are to suit installation width (BB)	
Notes:	

Company Name and address:-

Signed.....Print.....
 Date: Purchase order No.....
 Collect or Send by Carrier – circle as appropriate
 Comments:

Please sign & return Order