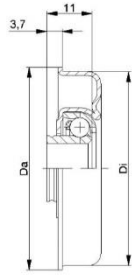


RG -AX1 Series (Spring loaded axles) rollers for manual handling –BZP STEEL

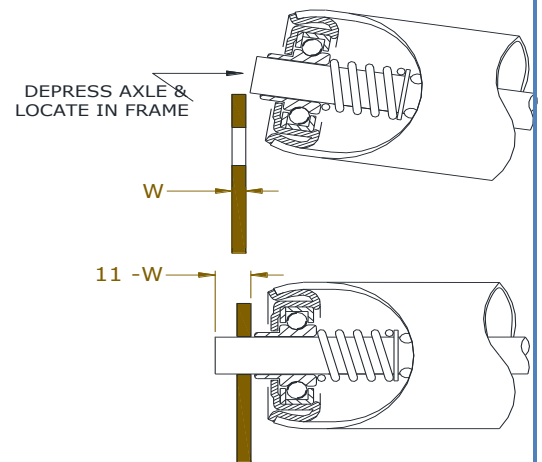
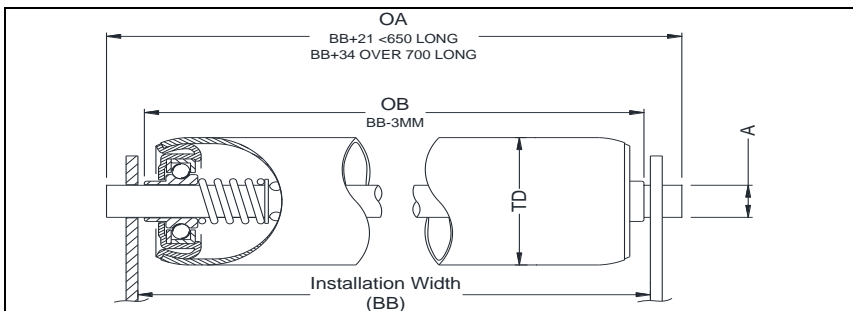


RG series rollers are general purpose steel rollers with oiled free rolling (cup & cone) style bearings for manual/gravity applications

Found in >	MATERIAL	TUBE EXTRAS
Manual Conveyors	Zinc Plated (BZP) tube	BS54 /BS60 Sleeve **RG50 only
Despatch Areas		Bonded Rubber
Airports	Steel axles	Polyurethane
Packing Lines		

Roller Type	Roller Diameter & wall thickness	○ Axle	⬡ Axle	Bearing Type +housing	Load Capacity†
RG-20 _{ax}	Ø20 x1.5 wall	Ø6 _{ax} & Ø8	-	KTR20.01+plastic	4kgF udl
RG-25 defunct	Ø25.4 x1.2 wall	Ø6	-	3GF418+steel	15kgF udl
RG-30	Ø30 x1.5 wall	Ø6, Ø8 Ø10	-	MTR30.20+steel	25kgF udl
RG-35	Ø35 x1.2 wall	Ø8	8H	PR35+Plastic	50kgF udl
RG-40	Ø40 x1.5 wall	Ø8 Ø10 Ø11 Ø12	11H	MTR40.2+steel	50kgF udl
RG-50**	Ø50x1.5 wall	Ø8 Ø10 Ø11 Ø12	11H	MTR50.2+steel	80kgF udl
RG-50MD	Ø51 x2 wall	Ø8 Ø10 Ø11 Ø12	11H	MTR50.2+steel	80kgF udl
RG-60	Ø60 x2 wall	Ø10 Ø11 Ø12	11H	MTR60.2+steel	80kgF udl
RG-60MD	Ø60 x2 wall	Ø10 Ø15	-	MTR60.3+steel	120kgF udl
RG-80MD	Ø80 x2 wall	Ø14	-	MTR80.3+steel	120kgF udl

RG-20_{ax} if fitted with 6mm axle. These are stub axles unless otherwise stated. † Load Capacity calculated on standard lengths & axle fixing. Please ask us to confirm advisable load on quotation/order



Roller Type (ie RG-50)	
Installation Width (BB)	BB
Axle A	Ø ; ⬡ H
Quantity Required	
OB (over bearing boss*)	*
OA (over all axle length*) or L	*
*leave blank if rollers are to suit installation width (BB)	
⊗RG-20 with stub axle with 9mm equal extensions.	

ORDERING CODE EXAMPLE: **RG 50 11H AX1 - 610BB** Roller Type ; Axle Size & Type ; BB (Installation width)

Company Name and address:-	Signed.....Print.....
	Date:
	Purchase order No.:
	Collect or AED to despatch – circle as appropriate

Please sign & return Order

RG -AX1 Series (Spring loaded axles) rollers for manual handling –BZP STEEL

COO (Country of Origin): **UK**

Product Details

Conveyor Roller; Customs Code 842829900, Medium Duty to heavy duty

Steel rollers are resistant to deflection and have high load capacity. These are zinc plated steel
All are fitted with roller bearings.

Steel roller and shaft

Steel end caps (some with plastic bush) chrome steel ball bearings

RG series rollers are used in a variety of dynamic material handling sectors, process environments, within distribution facilities, transport sectors (especially warehouse), and within many other environments where innovative, efficient product or material handling solutions are required

Specifications

Attribute	Value
Tube Material	Bright zinc plate Steel
Roller Diameter	As order
OB Length	As order
Inside Frame Width BB	As order
Axle Shape	As order
Axle Fixing Type	Spring Loaded
Axle Material	Steel
Axle Size	As order
Maximum Conveying Speed	1m/s <1000mm BB
Weight Class	Light to Medium