

# PRG AX1 Series (Spring loaded axles) rollers for manual handling – Plastic

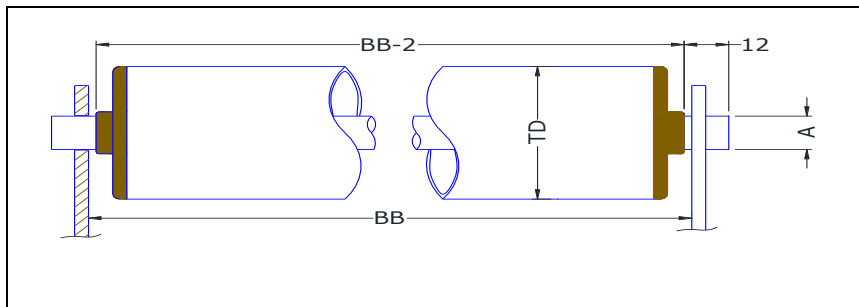


PRG series rollers are general purpose pvc plastic rollers with free rolling All Weather bearings

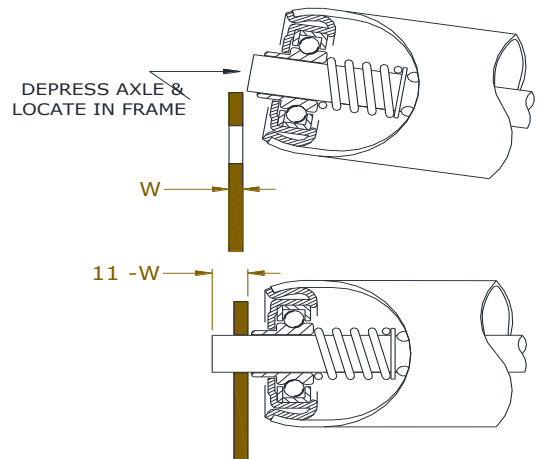
Found in >	MATERIAL	EXTRAS
Battery/Chemical	Rigid pvc FDA Blue	BZP Axles --
Manual Conveyors	RAL 5002	Stainless Axles
Airport Security	--	
Warehouse packing lines	GREY 48 NOT FDA	

Roller Type	Roller Diameter	○ Axle	⬡ Axle	Bearing Type Plastic free rolling	Load Capacity†
PRG20 <sub>α</sub>	Ø20 - GREY	Ø6 & Ø8	-	KTR20x1.5.01	4kgF udl <300
PRG-20B	Ø20 - BLUE	Ø6 & Ø8	-	KTR20x1.5.01	4kgF udl <300
PRG30	Ø30 - BLUE	Ø6 Ø8 Ø10	-	KTR30x2	7kgF udl <450
PRG30G	Ø30 - GREY	Ø6 Ø8 Ø10	-	KTR30x2	7kgF udl <450
PRG40	Ø40 - BLUE	Ø8 Ø10 Ø11 Ø12	-	KTR40x1.5	12kgF udl <450
PRG40G	Ø40 - GREY	Ø8 Ø10 Ø11 Ø12	-	KTR40x1.5	12kgF udl <450
PRG50	Ø50 - BLUE	Ø8 Ø10 Ø11 Ø12	11H	KTR50x2.8	25kgF udl <450
PRG50G	Ø50 - GREY	Ø8 Ø10 Ø11 Ø12	11H	KTR50x2.8	25kgF udl <450
PRG50+BS60	Ø60 SLEEVE - BLACK	Ø8 Ø10 Ø11 Ø12	11H	KTR50x2.8	25kgF udl <450

† Load Capacity calculated on standard lengths in MM. Please ask to confirm advisable load capacity on quotation/order



Roller Type (ie PRG50)	
Installation Width (BB)	BB
Axle special material BZP or Stainless	
Axle A (axles special metal Yes/No)	Ø         ⬡    H
Quantity Required	
OB (over bearing boss*)	*
OA (over all axle length*) or L	*
*leave OB & OA blank if rollers are to suit installation width (BB)	
<b>αPRG-20 with stub axle with 9mm equal extensions.</b>	



Company Name and address:-

Signed.....Print.....

Date:

Purchase order No.:

Collect or AED to despatch – circle as appropriate

**Please sign & return Order**