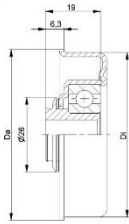


# PR –AX8 (Female Thread) Bolt-in rollers | Greased, Precision - **BZP STEEL**

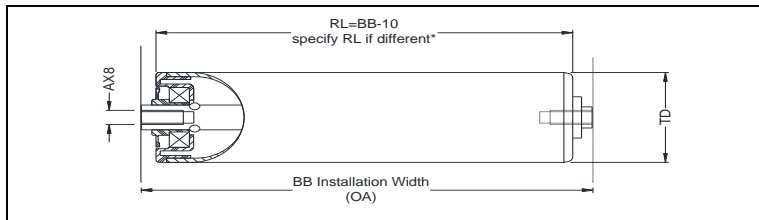


PR series are general purpose steel rollers with precision bearing (pop metric) for manual/powered applications

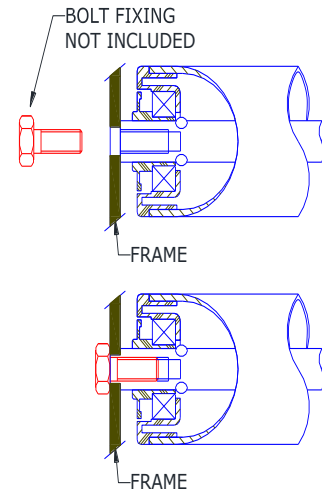
Found in >	MATERIAL	EXTRAS
Belt Conveyors	Zinc Plated (BZP) Tube Steel axles	Rubber Sleeve
Farming Equipment		Bonded Rubber
Airports		Polyurethane
Cutting Equipment		

Roller Type	Roller Diameter & wall thickness	Female Thread available	Axle code Followed by thread	Bearing Type +Housing	Load Capacity†
PR-25	Ø25.4 x2	M5x10 (AX85) M6x12 (AX86)	AX85 / AX86	608	35kgF udl
PR-35	Ø35 x1.2	M5x10 M6x12	AX85 / AX86	6001+PLASTIC	50kgF udl
PR-35HD	Ø35 x3	M6x12, M8x16 M10x20	AX86 / AX88 / AX810	6201/6002	140kgF udl
PR-40	Ø40 x1.5	M6x12, M8x16 M10x20	AX86 / AX88 / AX810	6002 +PLASTIC	80kgF udl
PR-50	Ø50 x1.5	M6x12, M8x16 M10x20	AX86 / AX88 / AX810	6202/6003+STEEL	160kgF udl
PR-50MD	Ø50.8 x2	M6x12, M8x16 M10x20	AX86 / AX88 / AX810	6202/6003+STEEL	160kgF udl
PR-50HD	Ø50.8 x3	M6x12, M8x16 M10x20	AX86 / AX88 / AX810	6202/6003+STEEL	160kgF udl
PR-60	Ø60 x2	M6x12, M8x16 M10x20	AX86 / AX88 / AX810	6202/6003+STEEL	160kgF udl
PR-60HD	Ø60 x2.6	M8x16 M10x20 M12x26	AX88 / AX810 / AX812	6203+STEEL	300kgF udl
PR-603	Ø60 x3	M8x16 M10x20 M12x26	AX88 / AX810 / AX812	6204+STEEL	335kgF udl
PR-63	Ø63.5 x3	M8x16 M10x20 M12x26	AX88 / AX810 / AX812	6204+PLASTIC	350kgF udl
PR-70	Ø70 x2	M8x16 M10x20 M12x26	AX88 / AX810 / AX812	STEEL+6202/6003	180kgF udl
PR-703	Ø70 x3	M8x16 M10x20 M12x26	AX88 / AX810 / AX812	STEEL+6203	350 kgF udl
PR-76	Ø76 x3	M8x16 M10x20 M12x26	AX88 / AX810 / AX812	6905+STEEL	350kgF udl
PR-76hd6*	Ø76 x5	M8x16 M10x20 M12x26	AX88 / AX810 / AX812	6204/6005+STEEL	450kgF udl
PR-803 – SEE IR803	Ø80 x3	M8x16 M10x20 M12x26	AX88 / AX810 / AX812	6204+STEEL	550kgF udl
PR89KTR*	Ø89 x3	M8x16 M10x20 M12x26	AX88 / AX810 / AX812-	6204+PLASTIC	450kgF udl

**IMPORTANT:** †Load Capacity calculated on standard lengths. Please ask to confirm advisable load on quotation/order



Roller Type (ie PR-63)	
Installation Width (BB)	
Female Thread size	
Quantity Required	
RL (Roller Length*)	
OA (over all axle length*)	
*leave blank if rollers are to suit installation width (BB)	



Ordering code example: Ø50 roller, female thread M8 ends, to suit 400 gap between frames: **PR50AX88 -400BB**

Company Name and address:-

Signed.....Print.....

Date: Purchase order No.....

Collect or Send by Carrier – circle as appropriate

Comments:

**Please sign & return Order**