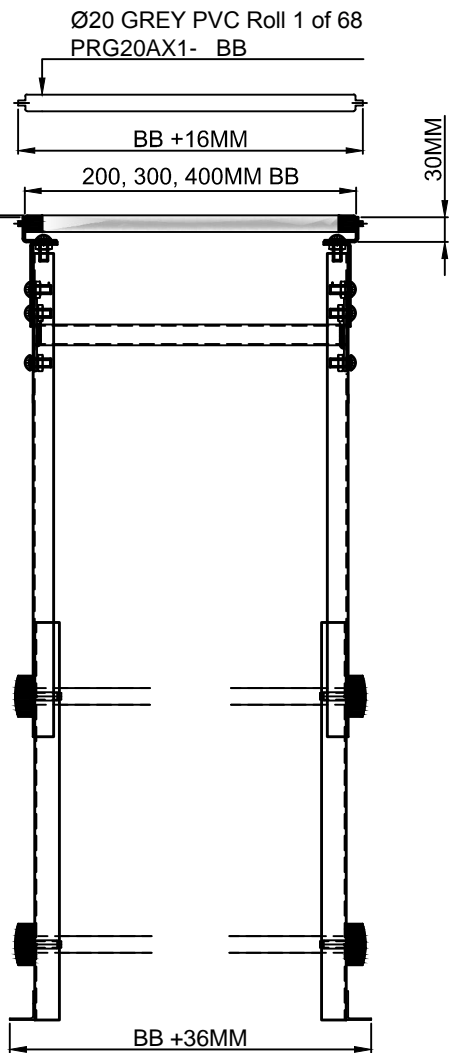
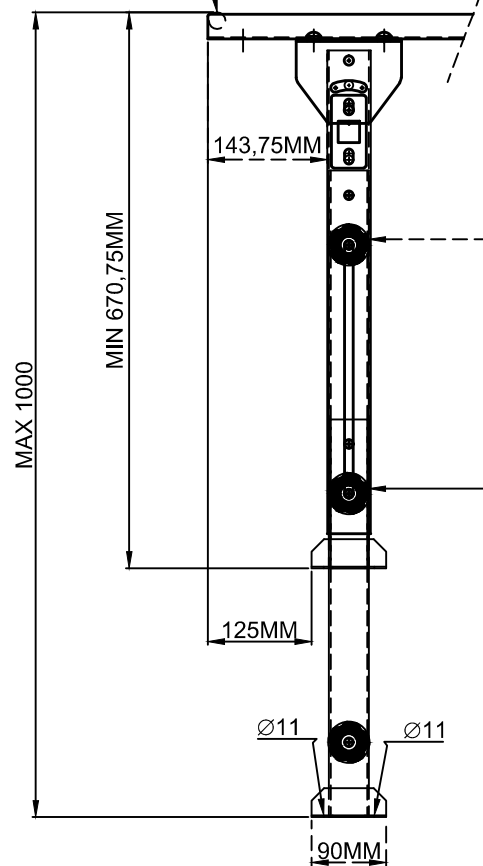


2MM ABOVE FRAME

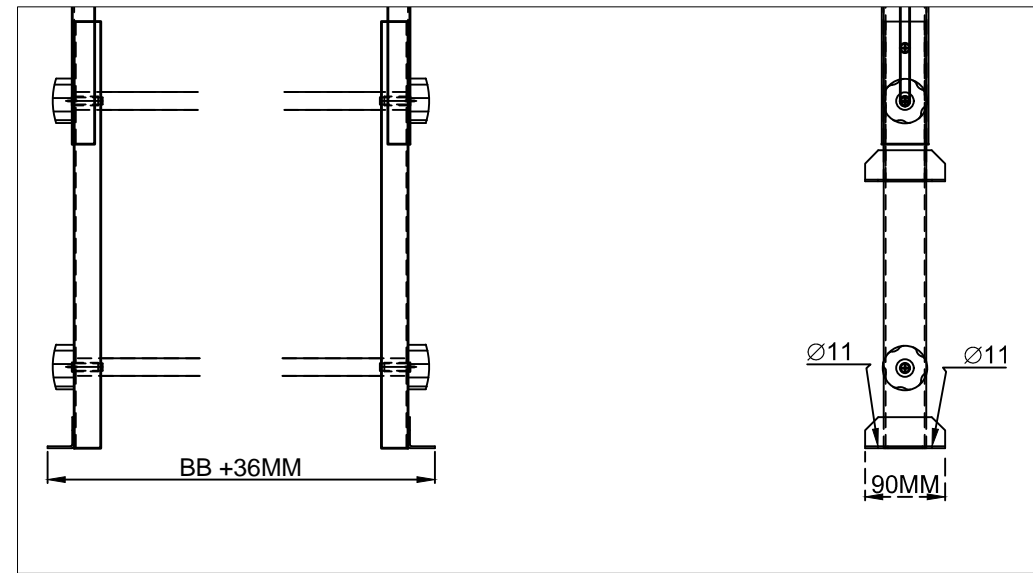
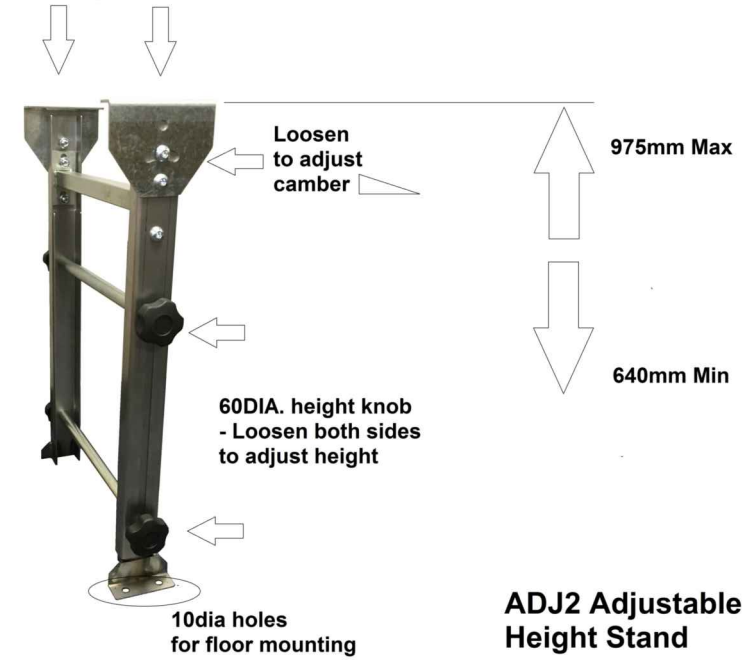


TOR
 (Floor to Top of Roller)



M10x60
 HEIGHT ADJUST KNOB

80 kgs SWL



FINISH	BZP
MATERIAL	2MM STEEL
HEAT TREATMENT	----
LUBRICATION	---

DRAWN: P. BEVAN DATE: 24.5.17

TITLE: 670MM /1000MM CONVEYOR STAND

DRG No. ADJ2-GTLD13