

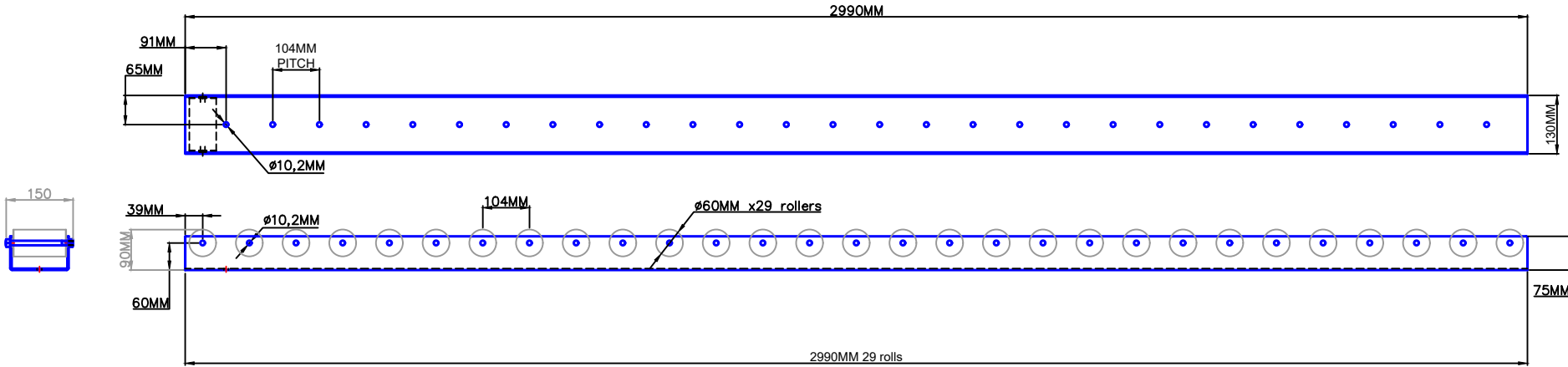
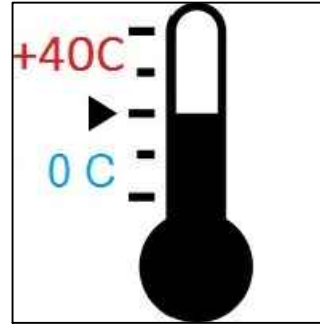
AED Rollers Ltd

UNIT 3, ALBION WORKS, MOOR STREET, BRIERLEY HILL, WEST MIDS. ENGLAND. DY5 3SZ
 T. +44 (0) 1384 77427. F +44 (0) 1384 261843. WWW.AEDROLLERS.COM

DRG No. GT50-NR2000-104-BS60

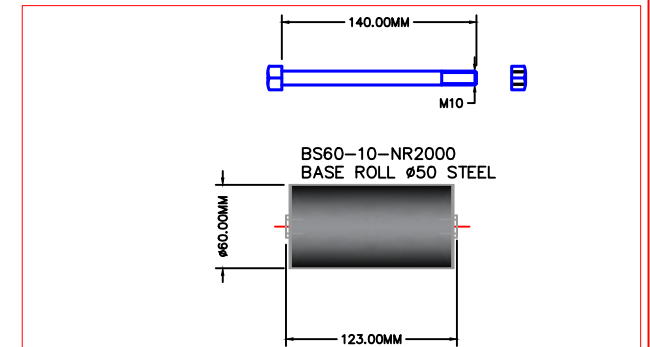
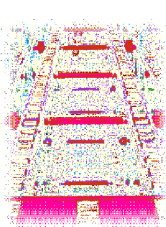
COPYRIGHT RESERVED

Found in >	MATERIAL	Sleeve Options	Great for
Battery Handling	Steel Base Roller + pvc sleeve	BS60 60mm FOD	Protecting goods
Despatch Areas			Non-Marking
Airports	50-60 shore A		Stone/granite tops
Packing Lines			Cheaper than rubber



Available rollers are $\phi 50$ or $\phi 60$ set at 104mm pitch.
 Rollers are bolted in position to make for secure fixing but can also be easily removed to allow additional rollers/brake rollers to be fitted.

- Frames are stocked in 3M (2990mm)
- Frame lengths can be cut down to suit individual requirements
- Rollers can be easily removed to additional fitting such as brake roller



FINISH	ROLLERS BS60 SLEEVE
MATERIAL	FRAMES 3MM PRE-GALV.
HEAT TREATMENT	----
LUBRICATION	---

DRAWN: P. BEVAN

DATE: 12.6.12

TITLE: GT50-NR2000-BS60 ASSEMBLY

DRG No. GT50-NR2000-104-BS60