

IR Series Extra duty Steel Industrial rollers AX2 ENDS



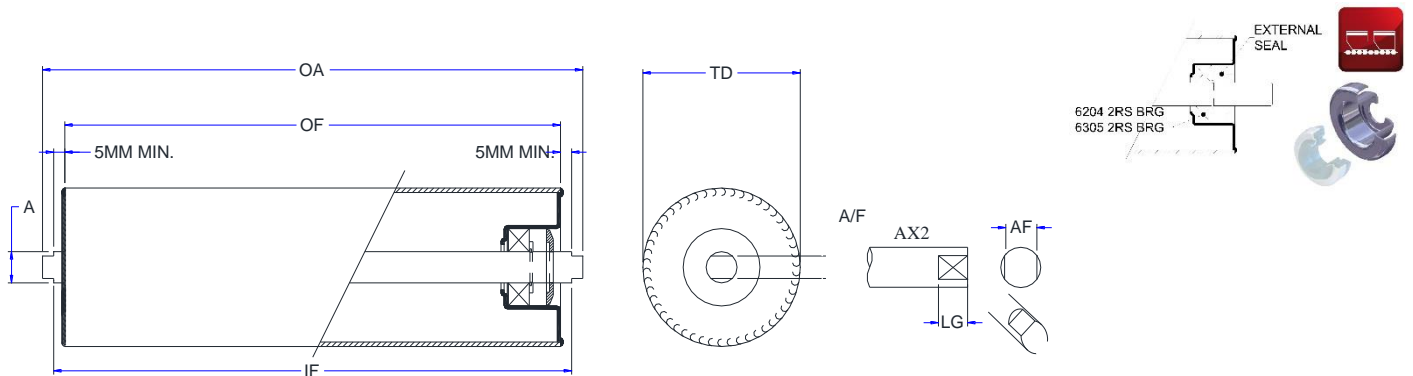
Steel, heavy duty steel rollers, manufactured to suit the most hostile environments

Foundries | Trough Conveyors | Steel Mills | Off-Shore | Automotive | Air Cargo Industrial Mower

AX2 ENDS

Roller Type	Roller Diameter & wall thickness	Axle Diameter	Bearing Type +External Seal	Load Capacity
IR51 (new)	Ø51 x 3	Ø20 & Ø25	6204 Precision +R20	365 kgF udl
IR60	Ø60 x 2.6	Ø20	6204 Precision +R20	365 kgF udl
IR63	Ø63.5 x 3	Ø20	6204 Precision +R20	365 kgF udl
IR70	Ø70 x 3	Ø20	6204 Precision +R20	440 kgF udl
IR76	Ø76 x 3	Ø20	6204 Precision +R20	460 kgF udl
IR76hd6	Ø76 x 5	Ø20	6204 Precision +R20	460 kgF udl
IR89	Ø89 x 3	Ø20 & Ø25	6204 +R20 / 6305 +R25	565/650 kgF udl
IR89hd6	Ø89 x 5	Ø25	6305 Precision +R25	565/650 kgF udl
IR4	Ø102 x 3	Ø20 & Ø25	6204 +R20 / 6305 +R25	565/650 kgF udl
IR4hd6	Ø102 x 5	Ø20 & Ø25	6204 +R20 / 6305 +R25	565/650 kgF udl
IR108	Ø108 x 3	Ø20 & Ø25	6204 +R20 / 6305 +R25	565/650 kgF udl
IR108hd6	Ø108 x 5	Ø20 & Ø25	6204 +R20 / 6305 +R25	565/650 kgF udl
IR5	Ø133 x 3.6	Ø25	6305 Precision +R25	650 kgF udl
IR6	Ø140 x 9	Ø25	6305 Precision +R25	650 kgF udl
IR7hd9	Ø159 x 9	Ø40	6308 Precision +R40	1005 kgF udl

IR Industrial Series with double open flattened ends



Quantity	Roller Type	OF Roller Length	OA Axle length	IF or LG (SUFFIX IF /LG)	A Axle Diameter	AX2 dimensions (ie 15AF 15LG)
	IR					AF LG
	IR					AF LG
	IR					AF LG
						AF LG

NOTES:

Company Name and address:-

Signed.....Print.....

Date:

Purchase order No.:

Collect or Send by Carrier – circle as appropriate

Please sign & return Order