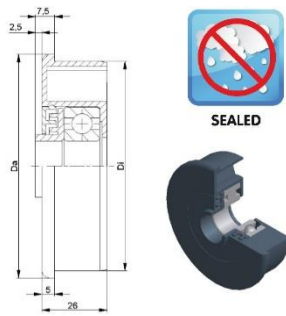
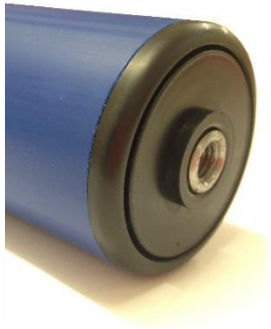


# PRP -SAX8 (Female Thread) Bolt-in rollers for Under Belt / Gravity – Plastic c/w stainless bearings & axle

PRP series are general purpose plastic rollers with sealed plastic housed **SS** precision bearing (pop metric) for manual/under belt applications

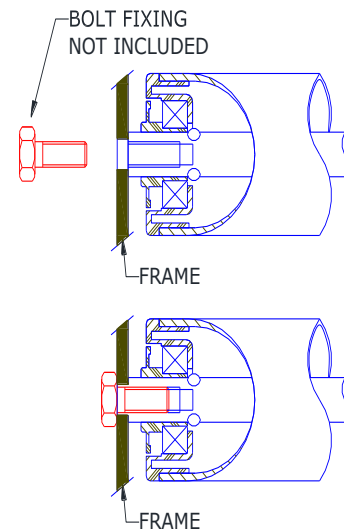


Found in >	MATERIAL	EXTRAS
Battery/Chemical	Rigid pvc FDA Blue RAL 5002	Rubber Sleeve*PRP50 ONLY
Under Belt	--	Grade 316 axles POA only
Airport X-ray	GREY 48	
Food Warehouse	NOT FDA	

Roller Type	Roller Diameter & Colour	Female Thread available	Axle code Is followed by thread	Bearing Type +Housing	Load Capacity†
PRP40GSAX8	∅40 – GREY	M5x10 (AX85) M6x12 (AX86)	AX85 / AX86	PR40-37 +S6002	15kgF udl
PRP40SAX8	∅40 – BLUE	M5x10 M6x12 M8x16	AX85 / AX86 / AX88	PR40-37 +S6002	15kgF udl
PRP50GSAX8	∅50 – GREY	M6x12, M8x16 M10x20	AX86 / AX88 / AX810	KTR-EBH50-45+S6202	40kgF udl
PRP50SAX8	∅50 – BLUE	M6x12, M8x16 M10x20	AX86 / AX88 / AX810	KTR-EBH50-45+S6202	40kgF udl
PRP60SAX8	∅60 – BLUE	M6x12, M8x16 M10x20	AX86 / AX88 / AX810	KTR-EBH60-54+S6202	50kgF udl
PRP63SAX8	∅63 – BLUE	M6x12, M8x16 M10x20	AX86 / AX88 / AX810	KTR-EBH60-56+S6202	60kgF udl
PRP90HDSAX8	∅90 – GREY	M8x16, M10x20 M12x26	AX88 / AX810 / AX812	KLH89-7-S6204	100kgF udl

IMPORTANT: †Load Capacity calculated on standard lengths. Please ask to confirm advisable load on quotation/order

Roller Type (ie PRP50G)	
Installation Width (BB)	
Female Thread size	
Quantity Required	
RL (Roller Length*)	
OA (over all axle length*)	
*leave blank if rollers are to suit installation width (BB)	



Company Name and address:-	Signed.....Print.....
	Date: Purchase order No.....
	Collect or Send by Carrier – circle as appropriate
	Comments:

Please sign & return Order