

# AED Rollers Ltd

UNIT 3, ALBION WORKS, MOOR STREET, BRIERLEY HILL, WEST MIDS. ENGLAND, DY5 3SZ  
 T. +44 (0) 1384 77427. F +44 (0) 1384 261843. WWW.CONVEYOR-ROLLERS.CO.UK

DRG No. ROLLER AX1 TEMPLATE

COPYRIGHT RESERVED

## Example order code:-

RG- 60- 10 5000B 5500A AX1

Axle Type

OA Length

OB Length

A (axle)

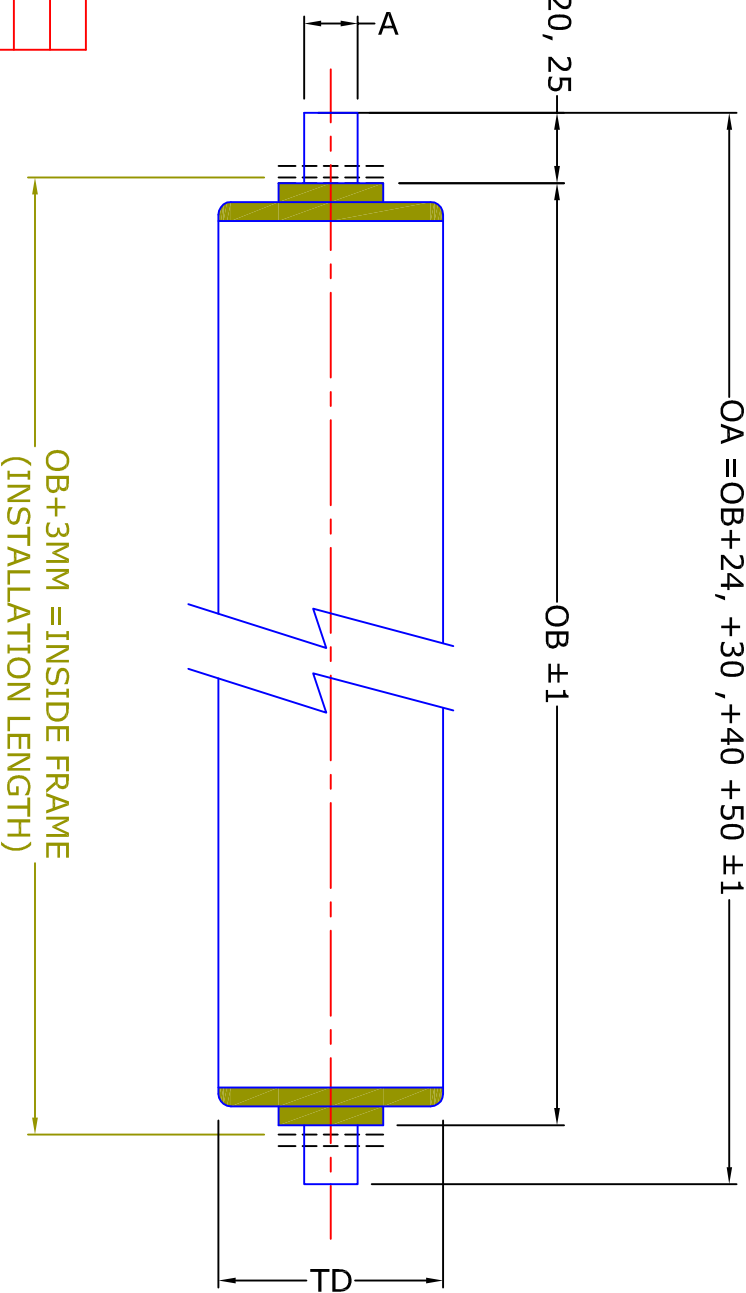
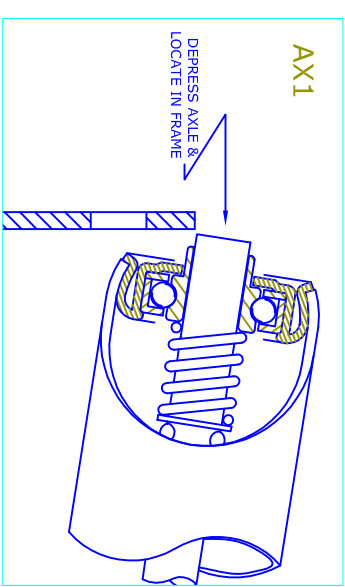
Roller TD

Roller Series

12, 15, 20, 25

$$OA = OB + 24, + 30, + 40 + 50 \pm 1$$

OB  $\pm 1$



FINISH	AS CATALOGUE
MATERIAL	AS CATALOGUE
HEAT TREATMENT	AS PER BRGS SUPPLIED
LUBRICATION	AS PER BRGS SUPPLIED

DRAWN: P. BEVAN

DATE: 17.6.97

TITLE: ROLLER AX1 (S/LOADED)

DRG No. ROLLER AX1 TEMPLATE