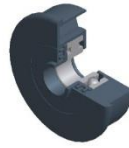
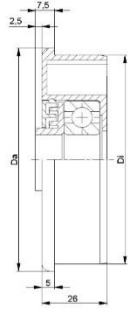


# SSPR –AX8 (Female Thread) Bolt-in rollers for Under Belt / Gravity - **Stainless**

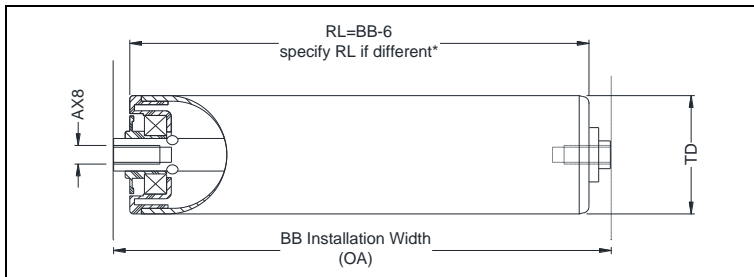


SSPR series are general purpose **stainless (SS)** rollers with sealed plastic housed **SS** precision bearing (pop metric) for manual/under belt applications

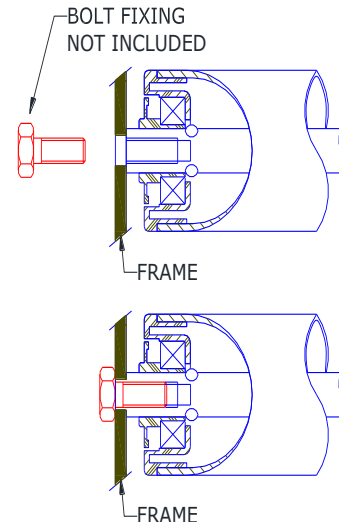
Found in >	MATERIAL	EXTRAS
Batter/Chemical	Stainless Steel Grade 303/304 (316 POA only)	Rubber Sleeve
Under Belt		Bonded Rubber
Airport X-ray		Polyurethane
Food Warehouse		-

Roller Type	Roller Diameter & wall thickness	Female Thread available	Axle code Followed by thread	Bearing Type +Housing	Load Capacity†
SSPR-25	Ø25.4 x2	M5x10 (AX85) M6x12 (AX86)	AX85 / AX86	s608	40kgF udl
SSPR-35	Ø35 x1.2	M5x10 M6x12	AX85 / AX86	PR35+s6001	680kgF udl
SSPR-38HD	Ø38x3	M6x12, M8x16 M10x20	AX86 / AX88 / AX810	s6202	160kgF udl
SSPR-40	Ø40 x1.5	M6x12, M8x16 M10x20	AX86 / AX88 / AX810	PR40-37 +s6002	80kgF udl
SSPR-50	Ø50 x1.5	M6x12, M8x16 M10x20	AX86 / AX88 / AX810	KTR-EBH50-47+s6202	140kgF udl
SSPR-50MD	Ø50.8 x2	M6x12, M8x16 M10x20	AX86 / AX88 / AX810	KTR-EBH50-47+s6202	140kgF udl
SSPR-50HD	Ø50.8 x3	M6x12, M8x16 M10x20	AX86 / AX88 / AX810	s6204	330kgF udl
SSPR-60	Ø60 x2	M6x12, M8x16 M10x20	AX86 / AX88 / AX810	KTR-EBH60-54+s6202	160kgF udl
SSPR-63	Ø63.5 x3	M8x16 M10x20 M12x26	AX88 / AX810 / AX812	KTR63+s6204	330kgF udl
SSPR-76	Ø76 x3	M10x20 M12x26	AX88 / AX810 / AX812	BH76+s6204	375kgF udl
SSPR-803	Ø80 x3	M10x20 M12x26	AX810 / AX812	KTR803+s6204	350kgF udl
SSPR89KTR	Ø89 x3	M10x20 M12x26	AX810 / AX812-	KLH89+s6204	430kgF udl
SSPR4	Ø102 x3	M10x20 M12x26	AX810 / AX812-	BH4+s6204 /s6305	430kgF udl

IMPORTANT: †Load Capacity calculated on standard lengths. Please ask to confirm advisable load on quotation/order



Roller Type (ie SSPR-63)	
Installation Width (BB)	
Female Thread size	
Quantity Required	
RL (Roller Length*)	
OA (over all axle length*)	
*leave blank if rollers are to suit installation width (BB)	



Company Name and address:-

Signed.....Print.....

Date: Purchase order No.....

Collect or Send by Carrier – circle as appropriate

Comments:

Please sign & return Order