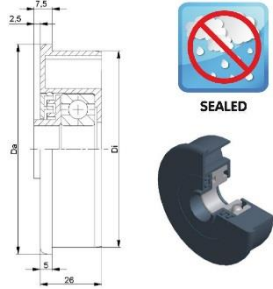


SSPR AX1 Series (Spring loaded axles) for Under Belt Rollers - **Stainless**



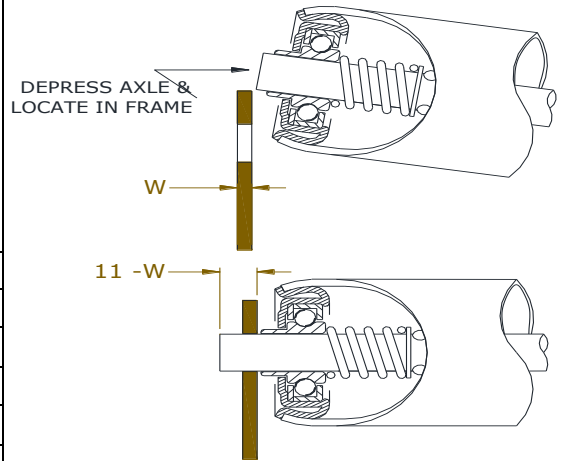
SSPR series are general purpose **stainless (SS)** rollers with sealed plastic housed **SS** precision bearing (pop metric) for manual/under belt applications

Found in >	MATERIAL	EXTRAS
Shop Checkout	Stainless Steel Grade 303/304	Rubber Sleeve
Under Belt		Bonded Rubber
Airport X-ray		Polyurethane
Food Warehouse		-

Roller Type	Roller Diameter	Wash Down	Axle	Axle	Bearing Type (all precision 2rs)	Load Capacity†
SSPR-25	Ø25.4x2	NO	Ø8*	-	s608	40kgF udl
SSPR-35	Ø35 x1.2	✓	Ø8	8H	PR35+s6001	80kgF udl
SSPR-38HD	Ø38x3	NO	Ø11	11H	s6202	140kgF udl
SSPR-40	Ø40 x1.5	✓	Ø8 Ø10 Ø11 Ø12	11H	PR40-37 +s6002	80kgF udl
SSPR-40WD	Ø40 x3	✓	Ø14	11H	s6202	140kgF udl
SSPR-50	Ø50x1.5	✓	Ø10 Ø11 Ø12 Ø14	11H	KTR-EBH50-47+s6202	140kgF udl
SSPR-60	Ø60x2.6	✓	Ø10 Ø11 Ø12 Ø14	11H	KTR-EBH60-54+s6202	160kgF udl
SSPR-63	Ø63x3	✓	Ø20	-	KTR63+s6204	300kgF udl

IMPORTANT: Axles* do not have a bearing boss. †Load Capacity calculated on standard lengths & axle fixing. Please ask us to confirm advisable load on quotation/order

Roller Type (ie SSPR-50)	
Installation Width (BB)	BB
Axle A	Ø H
Quantity Required	
OB (over bearing boss*)	*
OA (over all axle length*) or L	*
*leave blank if rollers are to suit installation width (BB)	
Notes:	



Company Name and address:-	Signed.....Print.....
	Date: Purchase order No.....
	Collect or Send by Carrier – circle as appropriate
	Comments:

Please sign & return Order