

SSRG AX1 Series (Spring loaded axles) rollers for manual handling – **Stainless**



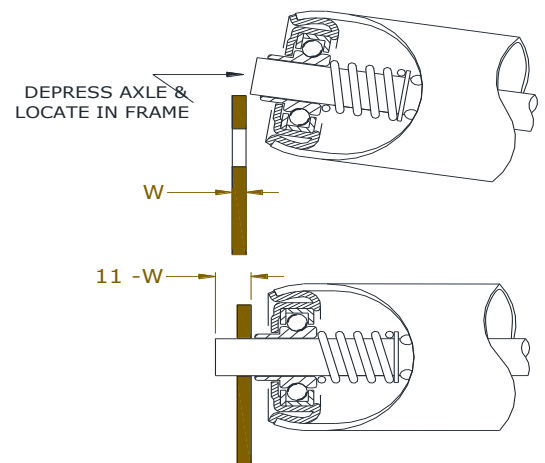
SSRG series rollers are general purpose stainless rollers with free rolling all weather bearings

Found in >	MATERIAL	EXTRAS
Battery/Chemical	Stainless Steel Grade 303/304	BZP Axles
Manual Conveyors		--
Airport Security		316 Stainless
Warehouse packing lines		

Roller Type	Roller Diameter & Wall Thickness	○ Axle	⬡ Axle	Bearing Type Plastic free rolling	Load Capacity†
SSRG-20x	Ø20 x1.5	Ø6	-	KTR20x1.5.01.FA	4kgF udl <600
SSRG-30	Ø30 x2.0	Ø6 Ø8 Ø10	-	KTR30x2	8kgF udl <750
SSPR-35	Ø35 x1.2	Ø8	8H	PR35-8H+S6001	45kgF udl <750
SSRG-40	Ø40 x1.5	Ø8 Ø10	-	KTR40x1.5	12kgF udl <750
SSRG-50	Ø50 x1.5	Ø8 Ø10 Ø12	11H	KTR50x1.5	25kgF udl <1000
SSRG50+BS60	Ø60 SLEEVE - BLACK	Ø8 Ø10 Ø12	11H	KTR50x1.5	25kgF udl <1000

† Load Capacity calculated on standard lengths in MM. Please ask to confirm advisable load capacity on quotation/order

Roller Type (ie SSRG50)	
Installation Width (BB)	BB
Special material 316 Stainless	Yes / No
Axle A (axles special metal Yes/No)	Ø ; ⬡ H
Quantity Required	
OB (over bearing boss*)	*
OA (over all axle length*) or L	*
*leave OB & OA blank if rollers are to suit installation width (BB)	
⚠SSRG-20 with stub axle with 9mm equal extensions.	



Company Name and address:-

Signed.....Print.....

Date:

Purchase order No.:

Collect or AED to despatch – circle as appropriate

Please sign & return Order