

Sleeved Rollers - Spring Loaded - for manual handling – BS SLEEVE

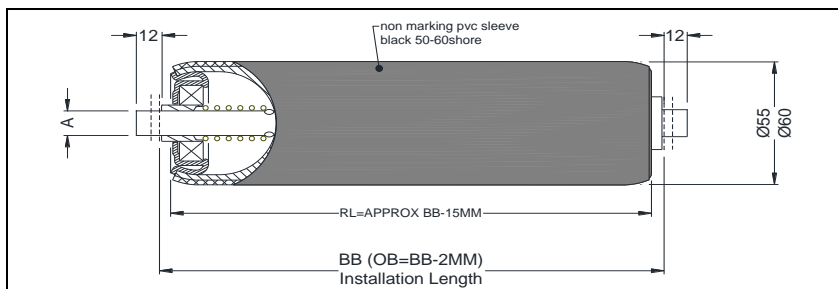


BS54 & BS60 general purpose steel rollers with pvc 3mm or 5mm thick rubber like sleeve for manual & gravity applications

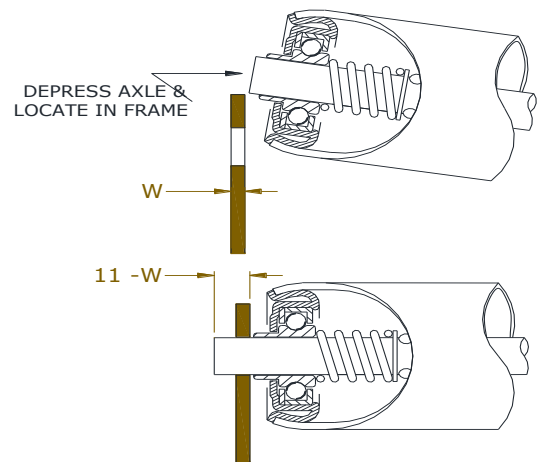
Found in >	MATERIAL	Sleeve Options	Great for
Battery Handling	Steel Base Roller + pvc sleeve	-BS54 (55mm FOD)	Protecting goods
Despatch Areas			Non-Marking
Airports	50-60 shore A	-BS60 (60mm FOD)	Stone/granite tops
Packing Lines			Cheaper than rubber

Roller Type	Finished Diameter	Axle A (default)	Other axles A sizes available	Minimum Length Maximum Length	Load Capacity†
RG5010 AX1 –BS54	Ø55mm	Ø10	Ø8, 12 & 11Hex	>200MM <1200MM	80kgF UDL
RG5010 AX1 –BS60	Ø60mm	Ø10	Ø8, 12 & 11Hex	>200MM <860MM	80kgF UDL
PR5012 AX1 –BS54	Ø55mm	Ø12	Ø10 or 11Hex	>200MM <1200MM	140kgF UDL
PR5012 AX1 –BS60	Ø60mm	Ø12	Ø10 or 11Hex	>200MM <860MM	140kgF UDL
PR50HD12 AX1 –BS54	Ø55mm	Ø12	11Hex	>200MM <1200MM	200kgF UDL
PR50HD12 AX1 –BS60	Ø60mm	Ø12	11Hex	>200MM <860MM	200kgF UDL

IMPORTANT: †Load Capacity calculated on based roller (not Sleeve capacity) and on roller lengths <700MM. For lengths greater than 800mm please ask on enquiry.



Roller Type (ie RG5010AX1-BS54)	
Installation Length (BB)	
Axle diameter	
Quantity Required	
Special Requests:	



ORDERING CODE EXAMPLE: **PR 50 11H AX1 - BS60 610BB**

Roller Type | Axle Size | Sleeve Diameter | BB (Installation Length)

Company Name and address:-

Signed.....Print.....

Date: Purchase order No.....

Collect or Send by Carrier – circle as appropriate

Comments:

Please sign & return Order