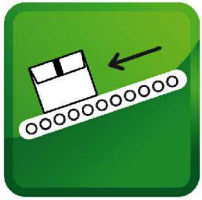


DRG No. GTA30-LR-16-430BB

COPYRIGHT RESERVED



FREE ROLLING



MAX. CARTON WEIGHT 30KGS /PER 300MM

ORDER CODE: GTA30-LR- L- BB

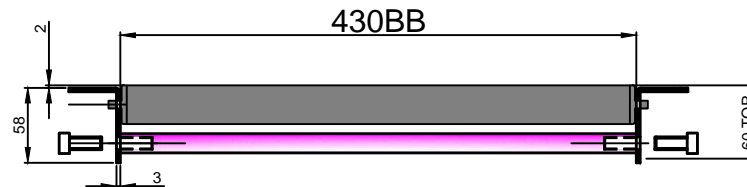
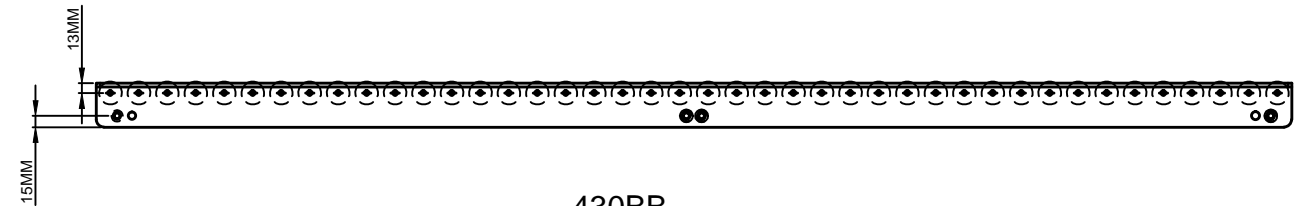
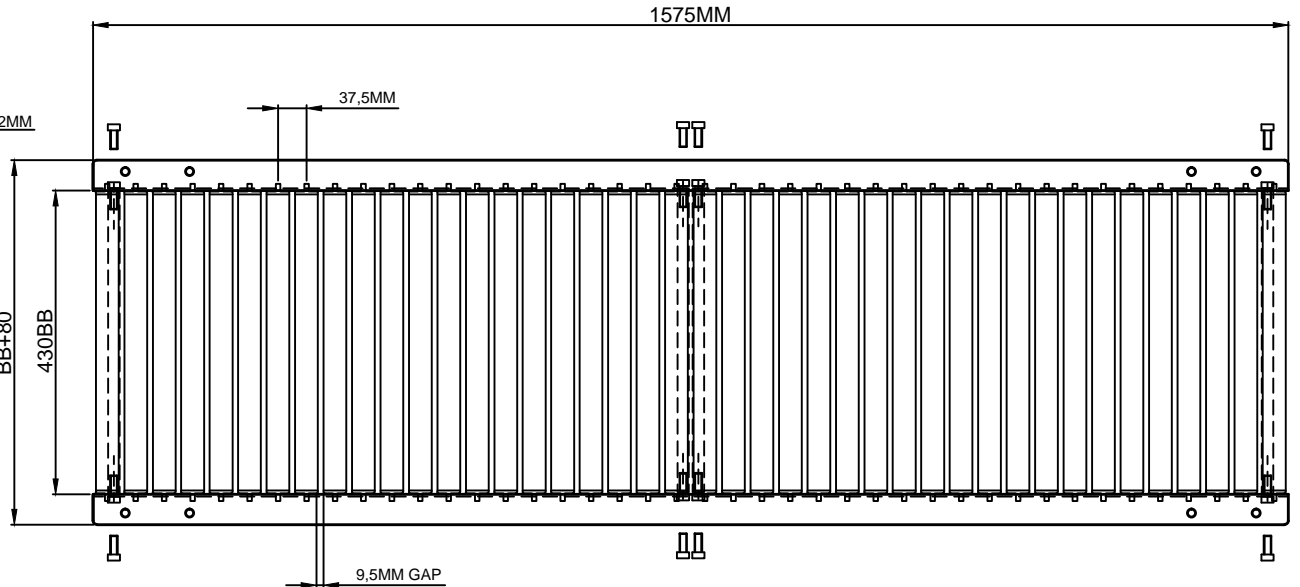
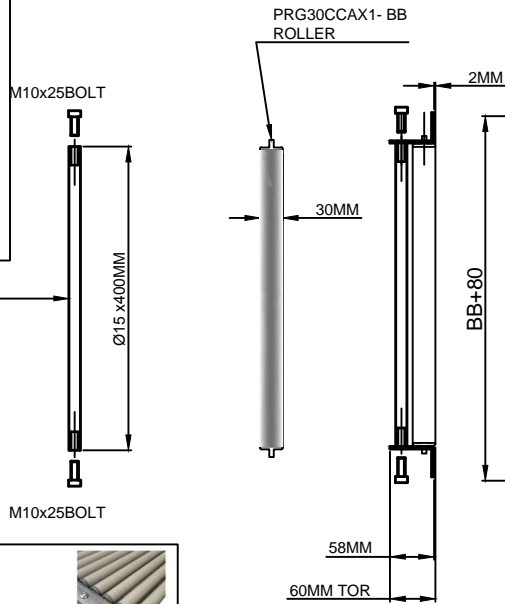
LENGTH IN M

INSIDE FRAME



CONVEYORS

Ø15 BDMS CROSS TIE
1 OF 4



FINISH	GALVANISED
MATERIAL	STEEL
HEAT TREATMENT	----
LUBRICATION	---

DRAWN: P. BEVAN DATE: 15.9.15

TITLE: END OF LINE PACKING CONVEYOR

DRG No.