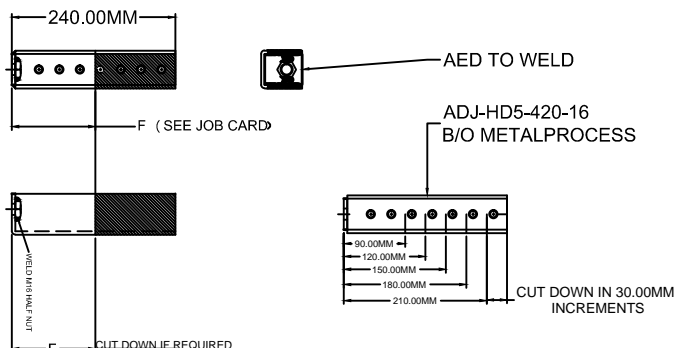
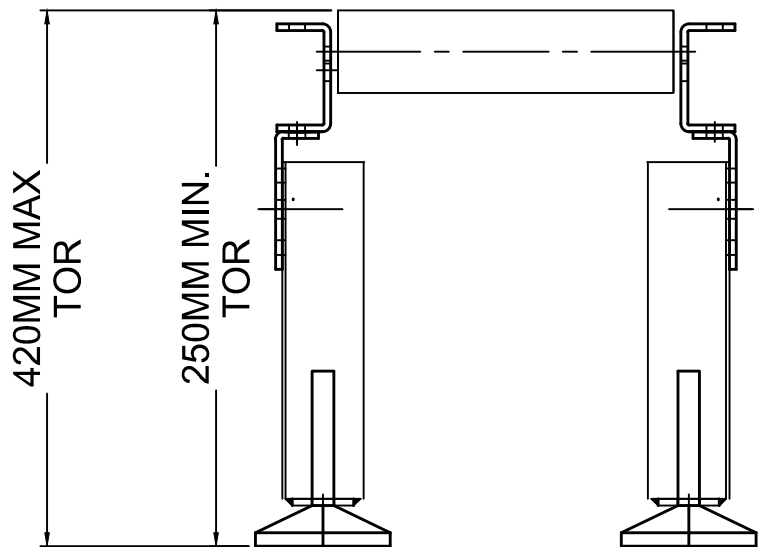
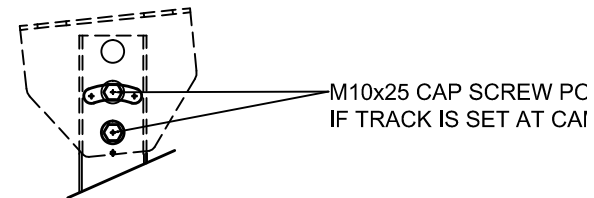


DRG No.

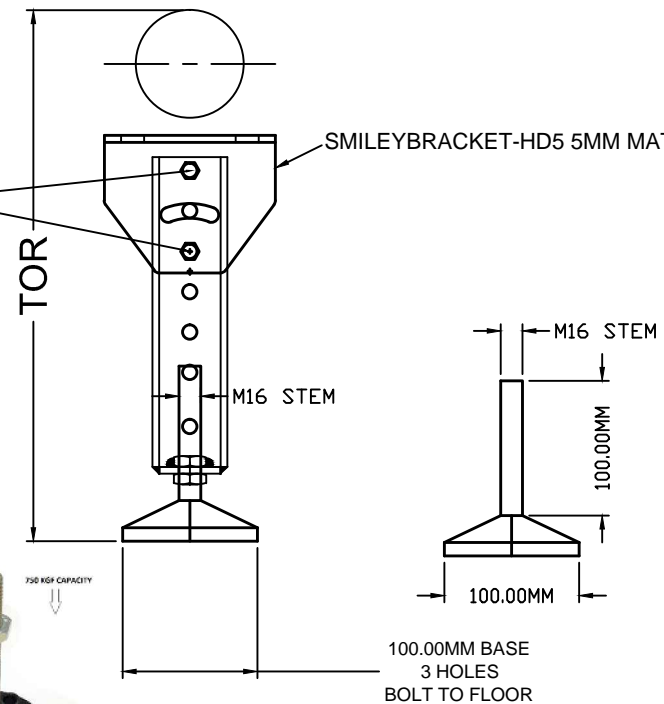
COPYRIGHT RESERVED



SPECIFY TOR ON ORDER



M10x25 CAP SCREW POSITION IF TRACK IS HORIZONTAL



FINISH	BZP (POST PROCESS)
MATERIAL	5MM MILD STEEL
HEAT TREATMENT	----
LUBRICATION	---

DRAWN: P. BEVAN

DATE: 4/3/13

TITLE: OUTSIDE LEG SUPPORT 420 TOR

DRG No. ADJ-HD5-OUTSIDE-LEG-300TOR