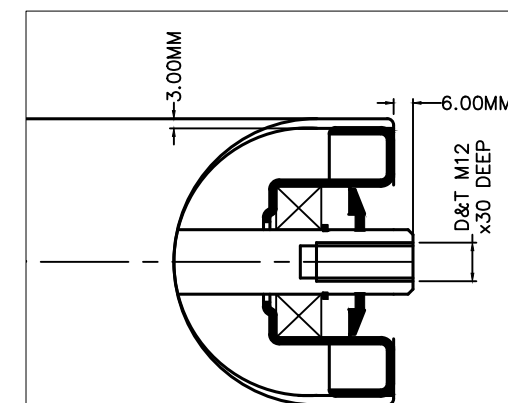
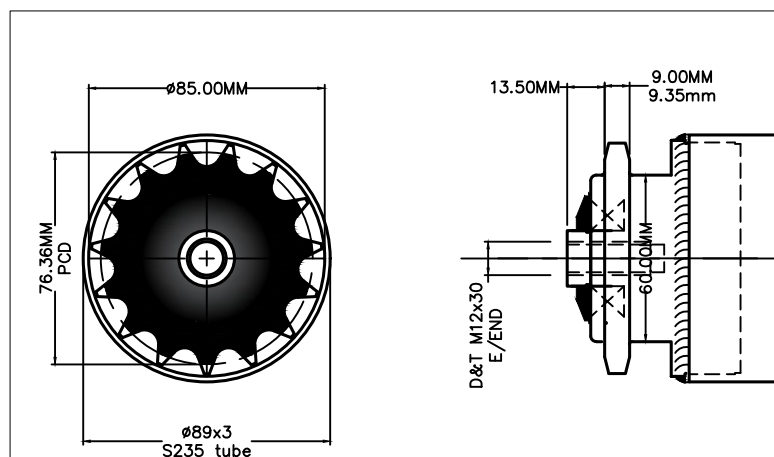
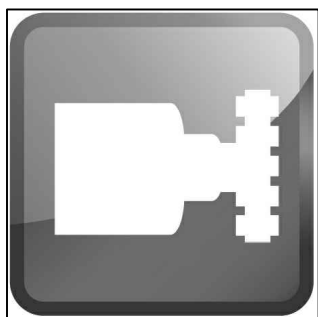


LOAD CAPACITY	
CONV WIDTH / OA	UDL >75% OA
>990 MM	650
1090	560
1190	500
1290	340
1390	230
1490	230
1590	155
1690	138



FINISH	BZP
MATERIAL	MILD STEEL
HEAT TREATMENT	AS BRGS SUPPLIED
LUBRICATION	" " "