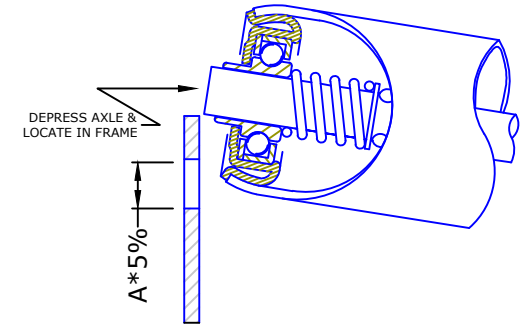
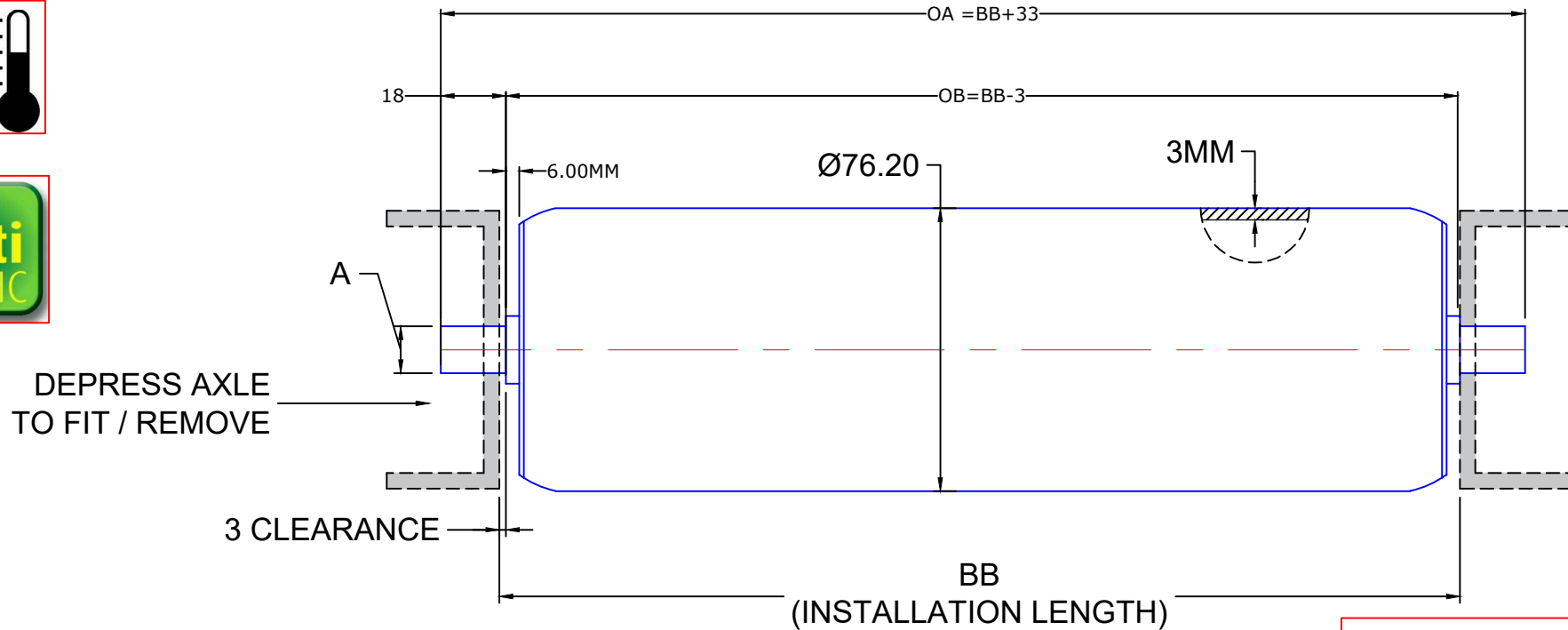
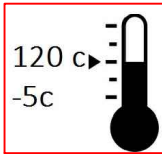


PR Series Uniformly Distributed Load (UDL) x >75% Installation Length (BB)

Roller Type	Load Capacity†	Load Capacity†	Load Capacity†	Load Capacity†	Load Capacity†	Load Capacity†	Load Capacity†
	<400MM BB	<650MM BB	<850MM BB	<1000MM BB	<1250MM BB	<1500MM BB	<1800MM BB
PR-76	350kgf	350kgf	350kgf	250kgf	131kgf	70kgf	35kgf



ORDERING CODE EXAMPLE FOR ROLLER WITH 16MM AXLE TO SUIT 512BB: PR76**16**AX1-**512**BB



FINISH	(ZINC PLATE) BZP
MATERIAL	MILD STEEL
HEAT TREATMENT	AS PER BRGS SUPPLIED
LUBRICATION	AS PER BRGS SUPPLIED

AXLE (A) SIZES AVAILABLE
 Ø 16MM, Ø19 & Ø20 or 14 HEX /17HEX