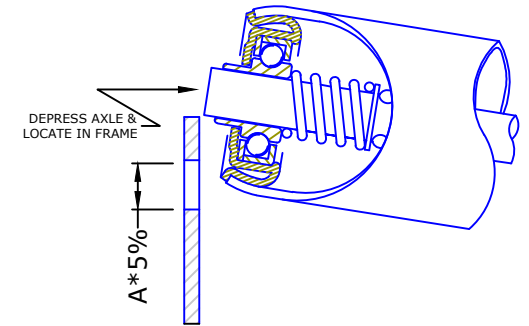
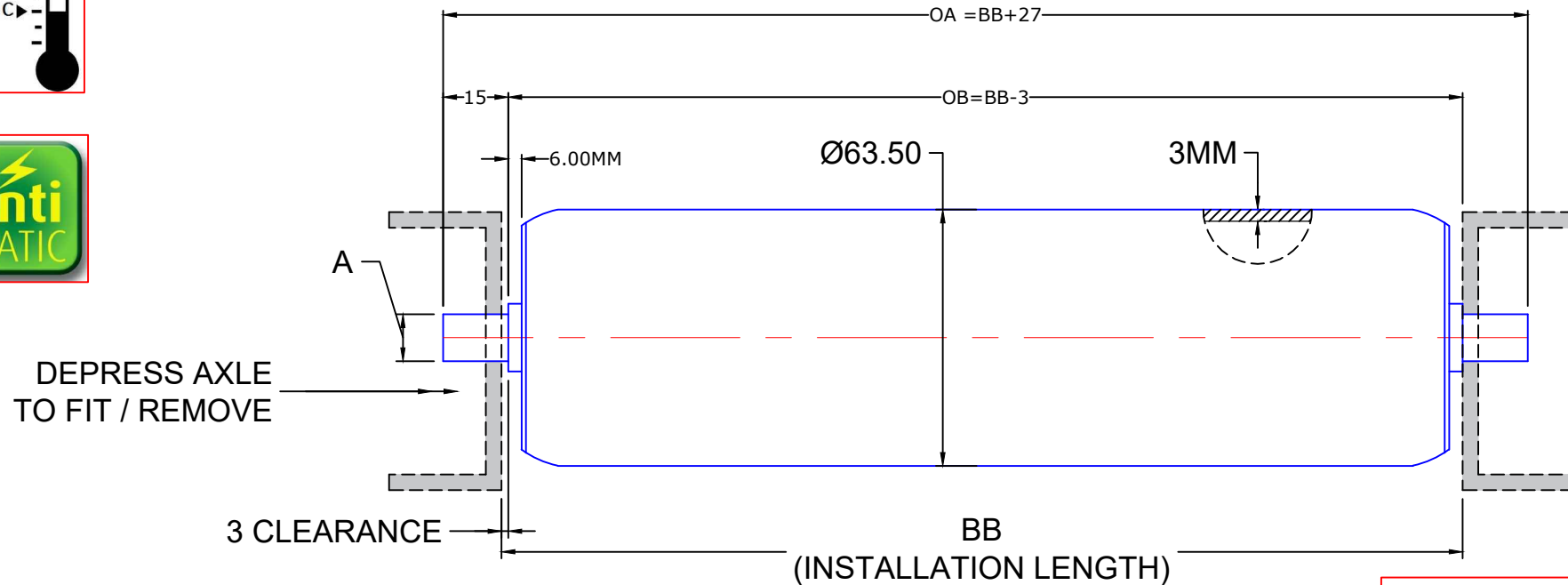
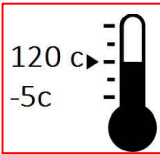


PR Series Uniformly Distributed Load (UDL) x >75% Installation Length (BB)

| Roller Type | Load Capacity† <400MM BB | Load Capacity† <650MM BB | Load Capacity† <850MM BB | Load Capacity† <1000MM BB | Load Capacity† <1250MM BB | Load Capacity† <1500MM BB | Load Capacity† <1800MM BB |
|-------------|--------------------------|--------------------------|--------------------------|---------------------------|---------------------------|---------------------------|---------------------------|
| PR-63 | 350kgf | 350kgf | 218kgf | 150kgf | 75kgf | 40kgf | 25kgf |



ORDERING CODE EXAMPLE FOR ROLLER Ø63.5 WITH 16MM AXLE TO SUIT 512BB: PR6316AX1-512BB



| | |
|----------------|----------------------|
| FINISH | (ZINC PLATE) BZP |
| MATERIAL | MILD STEEL |
| HEAT TREATMENT | AS PER BRGS SUPPLIED |
| LUBRICATION | AS PER BRGS SUPPLIED |

AXLE (A) SIZES AVAILABLE
 Ø 16MM, Ø19 & Ø20 or 14 HEX /17HEX