

Sleeved Grooved - for line-shaft / 24volt powered handling – BS SLEEVE



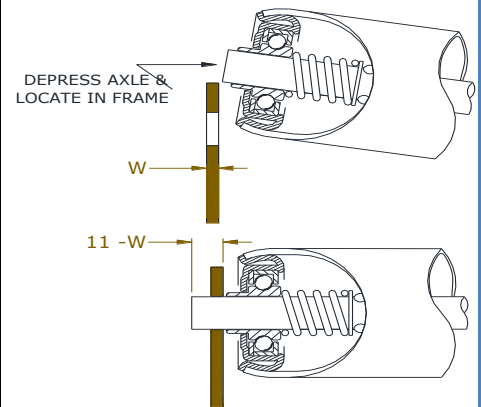
BS54 & BS60 general purpose steel rollers with pvc 3mm or 5mm thick rubber like sleeve for manual & gravity applications

| Found in > | MATERIAL | Sleeve Options | Great for |
|------------------|--------------------------------|------------------|---------------------|
| Battery Handling | Steel Base Roller + pvc sleeve | -BS54 (55mm FOD) | Protecting goods |
| Despatch Areas | | | Non-Marking |
| Airports | 50-60 shore A | -BS60 (60mm FOD) | Stone/granite tops |
| Packing Lines | | | Cheaper than rubber |

| Roller Type | Finished Diameter | Axle A (default) | Other axles A sizes available | Minimum Length Maximum Length | Load Capacity† |
|--|-------------------|------------------|-------------------------------|----------------------------------|----------------|
| GRP5011HAX1 –BS54 | Ø55mm | 11Hex | Ø8, 12 & 8Hex | >200MM <1200MM | 30kgF UDL |
| GRP5011HAX1–BS60 | Ø60mm | 11Hex | Ø8, 12 & 8Hex | >200MM <1200MM | 30kgF UDL |
| BELOW (PREFIXED SS) ARE SUPPLIED WITH STAINLESS STEEL BASE ROLLER | | | | | |
| SSGRP5011HAX1 –BS54 | Ø55mm | 11Hex | Ø8, 12 & 8Hex | >200MM <1200MM | 30kgF UDL |
| SSGRP5011HAX1–BS60 | Ø60mm | 11Hex | Ø8, 12 & 8Hex | >200MM <1200MM | 30kgF UDL |

IMPORTANT: †Load Capacity calculated on based roller (not Sleeve capacity) and on roller lengths <750MM. For lengths greater than 800mm please ask on enquiry.

| | |
|----------------------------------|--|
| Roller Type (ie GRP5010AX1-BS54) | |
| Installation Length (BB) | |
| Axle diameter | |
| Quantity Required | |
| GROOVE PATTERN: | |



ORDERING CODE EXAMPLE: **GRP** 50 **11H** AX1 - **BS60** 610BB

Roller Type ; **Axle Size** ; **Sleeve Diameter** ; **BB (Installation Length)**

Company Name and address:-

Signed.....Print.....

Date: Purchase order No.....

Collect or Send by Carrier – circle as appropriate

Comments:

Please sign & return Order